

# NA - Z8

For Nikon Z8 Camera

PN 17229

**User Manual**  
Housing  
FF- MIL

Introduction	2
Package Contents	2
Important Instructions	3
Part Names and Functions	4
Housing Mount	7
Opening the housing	8
Closing the housing	9
Preparation for Use	10
Optional Accessories	17
Care/Storage	20
Warranty	21
Specifications	22

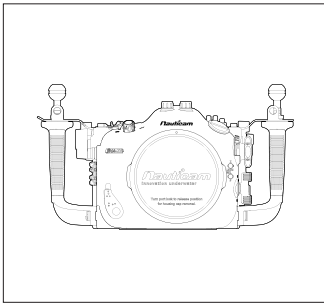
# INTRODUCTION

Thank you for purchasing this Nauticam product.

Before using the product, please read this manual thoroughly to familiarize yourself with full scope of functions on the product as well as ensuring that you will use the product correctly.

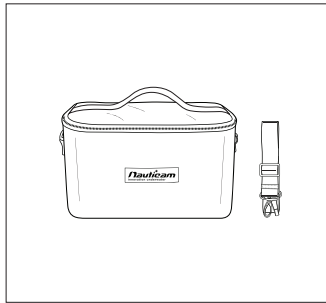
# PACKAGE CONTENTS

Make sure that you have all the included items listed below before using this product. If some items are missing or damaged, contact your local Nauticam dealer.

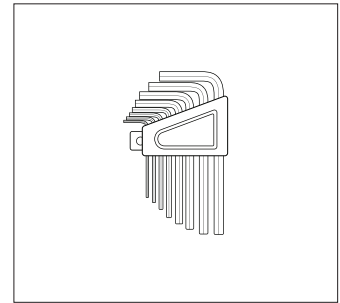


NA-Z8

(2 x Handles with Mounting Balls, 1 x Housing Cap, 2 x Optical Fiber Mount Caps, 2 x Stainless Steel Handle Brackets)



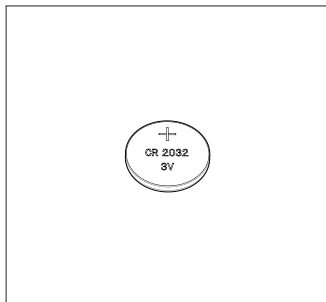
Padded Travel Case



Allen key set

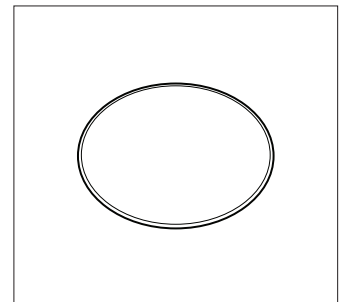


Lubricant



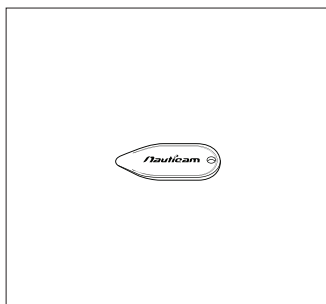
Panasonic CR2032 Battery

(pre-installed for Moisture Alarm)

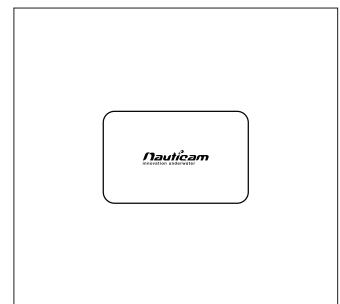


Spare Main O-ring  
#90122

After purchase, we suggest that you reuse all packaging materials for future travelling.



O-ring Remover



Manual Instruction Card

# IMPORTANT INSTRUCTIONS

1

Water-tight test of the housing (without camera inside) before usage is recommended as well as any O-ring renewal and port change.

2

Do not seal the housing when travelling by air as this may lead to a pressure difference between the atmosphere and inside the housing.

3

Only the accessories specified by Nauticam must be used. Third-party accessories may result in malfunctions or damage to the product.

4

Use only Nauticam lubricant on silicone rubber O-ring.

5

Do not stretch any O-rings excessively. Only remove it using Nauticam O-ring remover.



6

Discontinue use immediately when there is a sign of leakage.

7

Do not attempt to remove parts of the housing yourself. Repairs must be done at authorized service centers only.

8

The housing should be positioned on the a stable and safe surface on land.

9

Do not expose the housing in direct sunlight for a prolonged period.

10

Do not open the housing in wet or sandy environment. Protect the housing from moisture and debris in order to prevent malfunction or leakage.

11

Prevent any sand or dust or water penetration inside the housing. Be extra careful when changing lens and inserting or removing the camera.

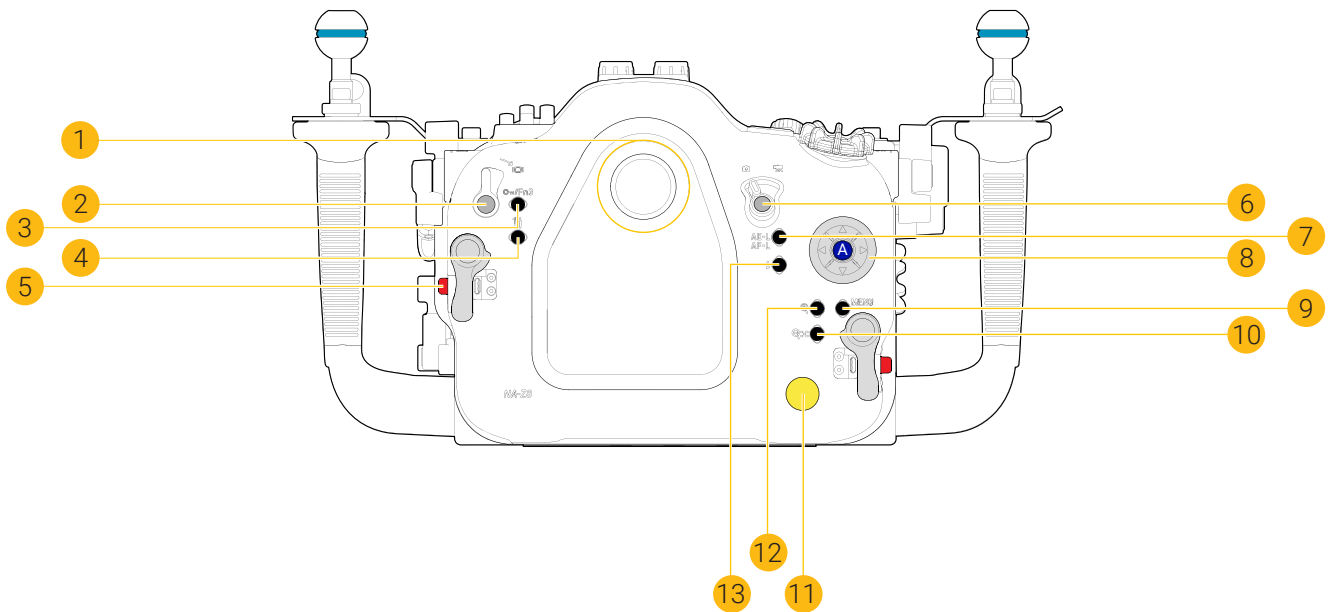


12

This product is not intended for use by children, or persons with reduced physical, sensory or mental capabilities, or lack of experience and knowledge, unless they are supervised and/or given instruction by a responsible person concerning use of the product to ensure that they can use it safely.

# PART NAMES AND FUNCTIONS

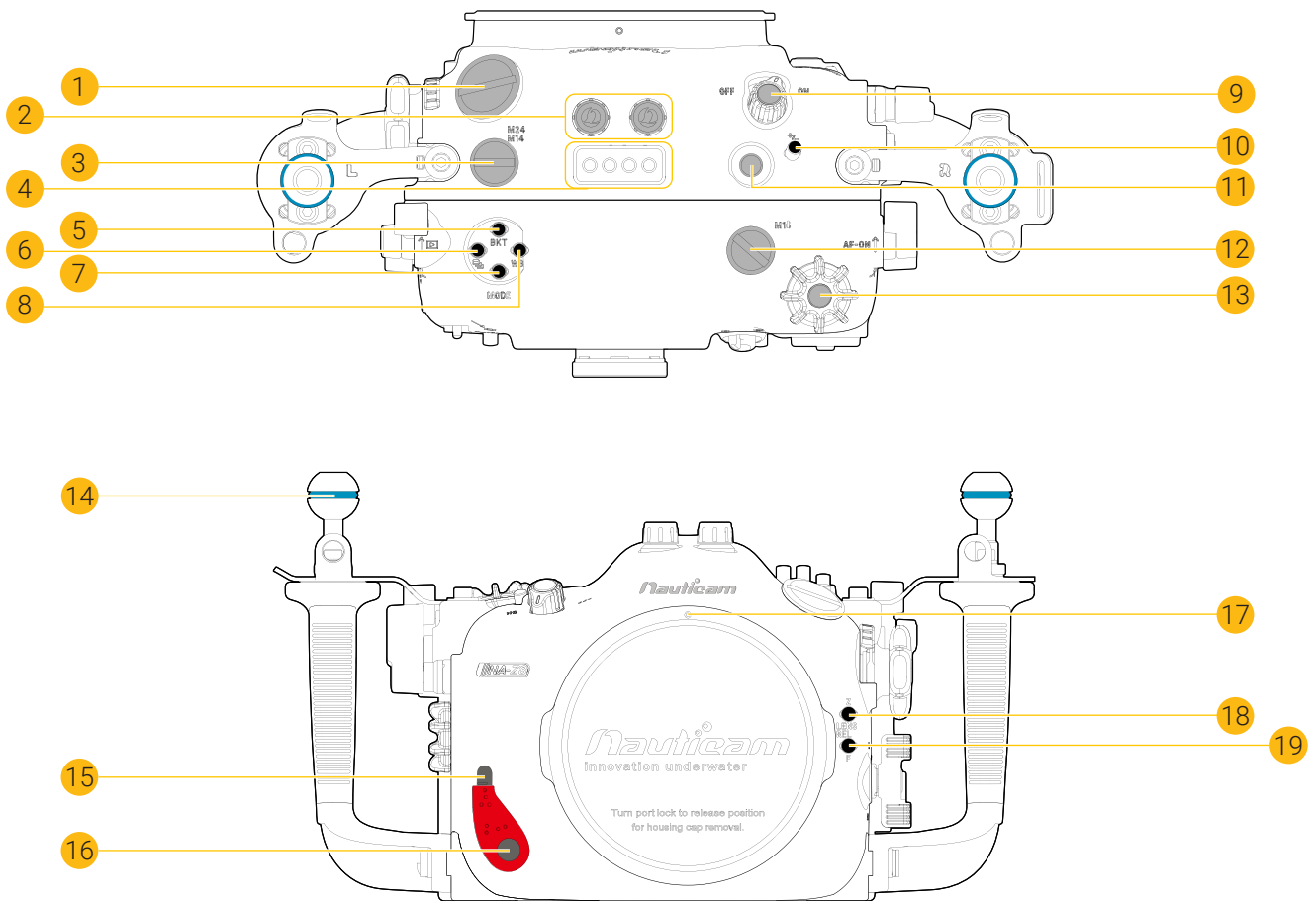
Rear View



- |    |                       |    |                                     |
|----|-----------------------|----|-------------------------------------|
| 1  | Viewfinder            | 2  | Monitor mode lever                  |
| 3  | Protect/Fn3 button    | 4  | Delete button                       |
| 5  | Housing unlock button | 6  | Photo/video lever                   |
| 7  | AE-L / AF-L button    | 8  | Multi selector                      |
| 9  | Menu button           | 10 | Playback zoom out/thumbnails button |
| 11 | Moisture alarm window | 12 | Playback zoom in button             |
| 13 | <i>i</i> button       | A  | Menu/Set button                     |

# PART NAMES AND FUNCTIONS

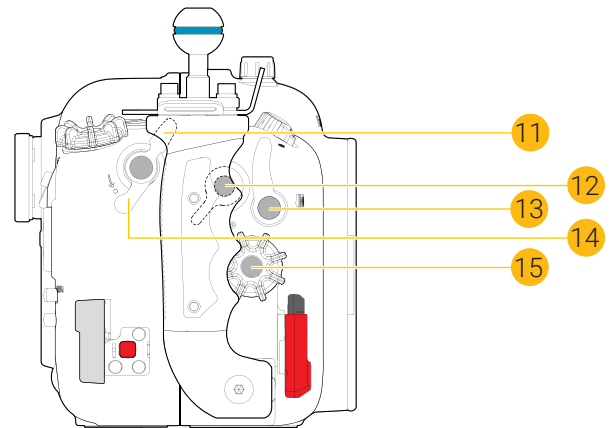
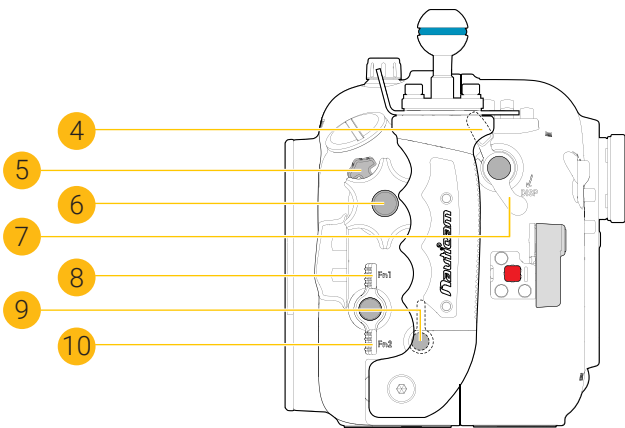
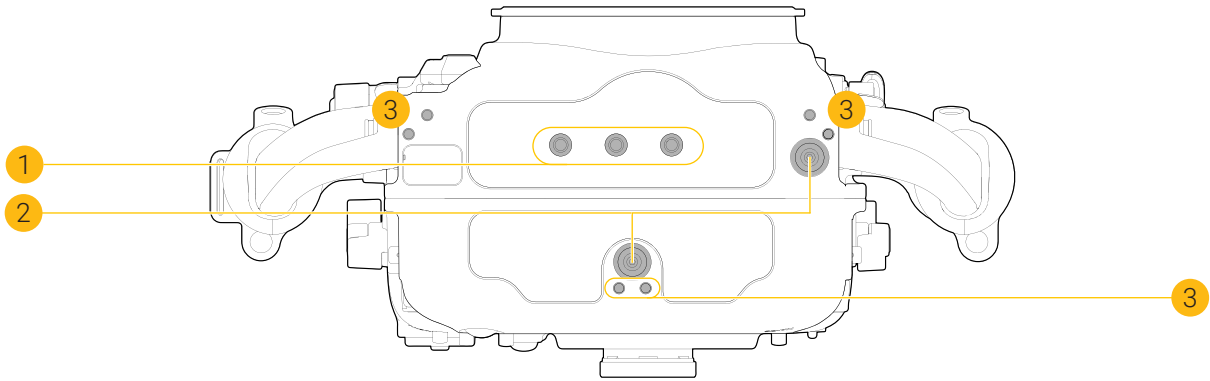
Top + Front Views



- |    |                         |    |                                |
|----|-------------------------|----|--------------------------------|
| 1  | M24 Accessory port      | 2  | Optical fiber cable connection |
| 3  | M14 Accessory port      | 4  | 1/4" Threaded holes            |
| 5  | BKT button              | 6  | Quick release mode button      |
| 7  | Mode button             | 8  | WB button                      |
| 9  | Main switch             | 10 | Exposure compensation button   |
| 11 | M10 Accessory port      | 12 | M16 Accessory port             |
| 13 | Main command dial       | 14 | Accessory mounting ball        |
| 15 | Port lock safety button | 16 | Port locking lever             |
| 17 | Port index mark         | 18 | Z lens release button          |
| 19 | F lens release button   |    |                                |

# PART NAMES AND FUNCTIONS

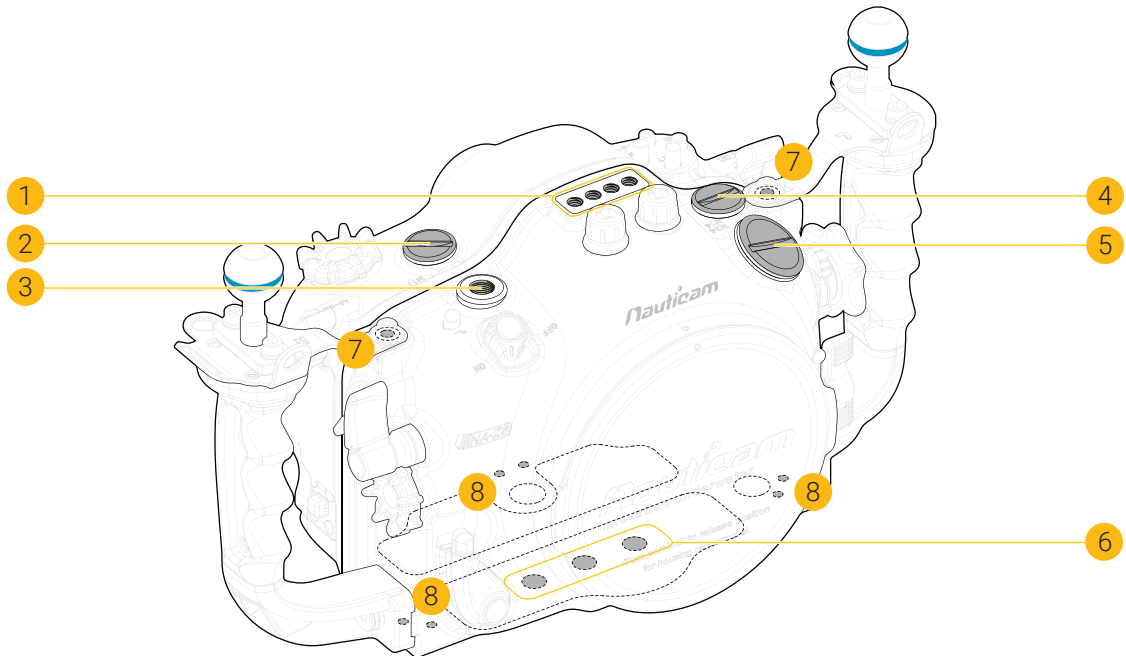
Back + Side Views



- 1 1/4" Threaded tripod holes
- 3 M5 Threaded holes
- 5 Zoom/Focus knob release
- 7 Display lever
- 9 Focus-mode lever
- 11 AF-ON lever
- 13 Shutter release lever
- 15 Sub-command dial

- 2 Sacrificial zinc anodes
- 4 Playback lever
- 6 Zoom/Focus knob
- 8 Fn 1 lever
- 10 Fn 2 lever
- 12 ISO lever
- 14 Movie record lever

# HOUSING MOUNT



## Housing mount

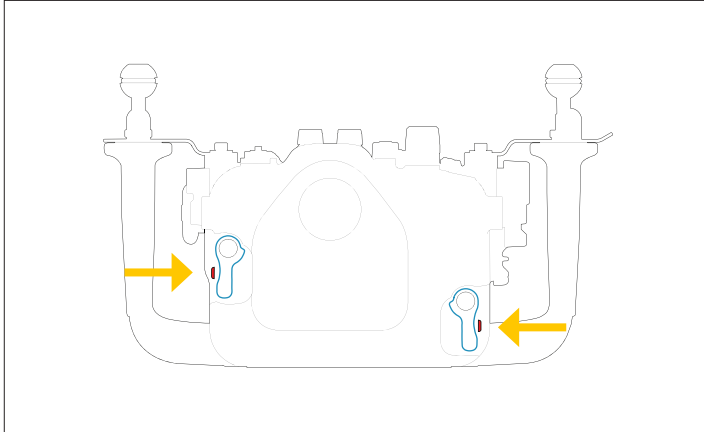
## Compatible accessories

1	4 x 1/4" -20 mounting threads	17959	Housing mounting ball with 1/4" screws	
2	M16 Accessory port	25625	M16 Vacuum valve II (pushbutton release)	
3	M10 Accessory port	25221 25224	M10 Strobe mounting ball M10 Strobe mounting ball with hole	
4	M16 Accessory port	26074 26075 25019	M14 Nikonos 5-pin bulkhead M14 Ikelite style bulkhead M16 to M14 step down adaptor	Electrical triggering
5	M24 Accessory port	25033 25081 25100 25086 25099 25097	Standard HDMI bulkhead with M16 thread M24 to M16 Step down adaptor HMDI (D-A)1.4 cable in 190mm length M24 adaptor for HDMI 2.0 cable HDMI 2.0 cable M24 to M14 Step down adaptor	HDMI 1.4 HDMI 2.0 Electrical triggering
6	1/4" -20 mounting threads	17954 17960	Universal tripod plate Universal quadra-pod plate	
7	M5 Accessory ports	25228	M5 Strobe mounting ball	
8	M5 Threaded holes	25218	Mounting ball set for tripod legs	

# OPENING THE HOUSING

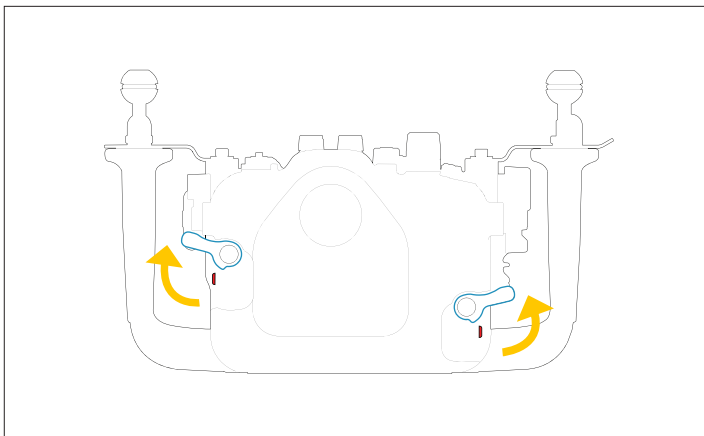
\* drawings as illustrations only

1



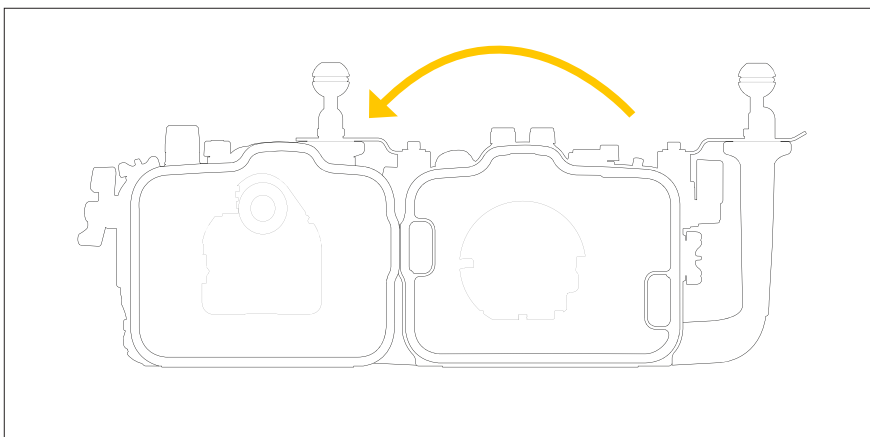
depress housing unlock button

2



turn housing lock outward

3



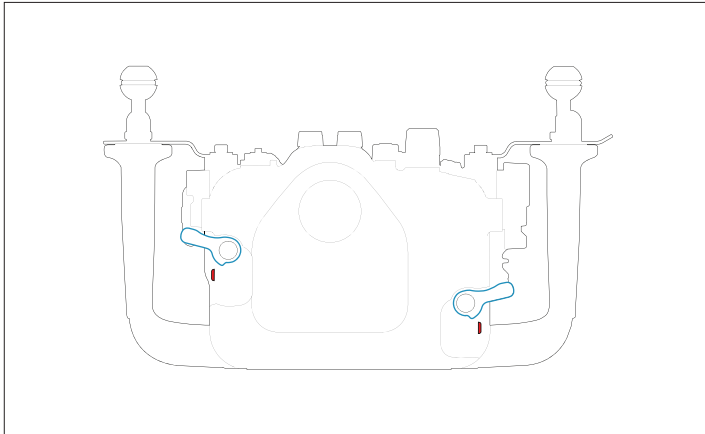
lift up the back housing



# CLOSING THE HOUSING

\* drawings as illustrations only

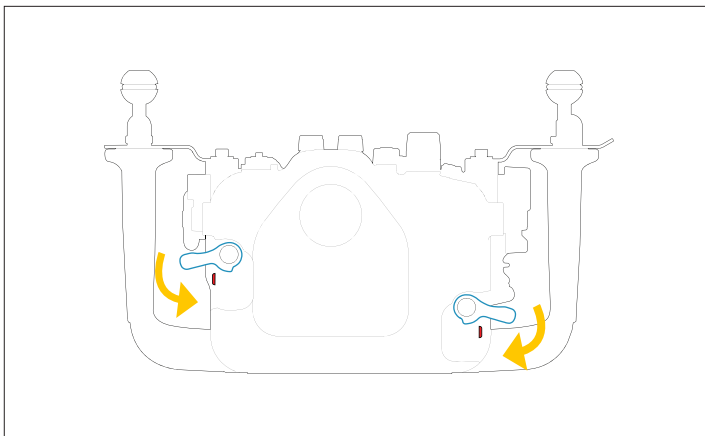
1



before closing the housing, clean and lubricate the main O-ring

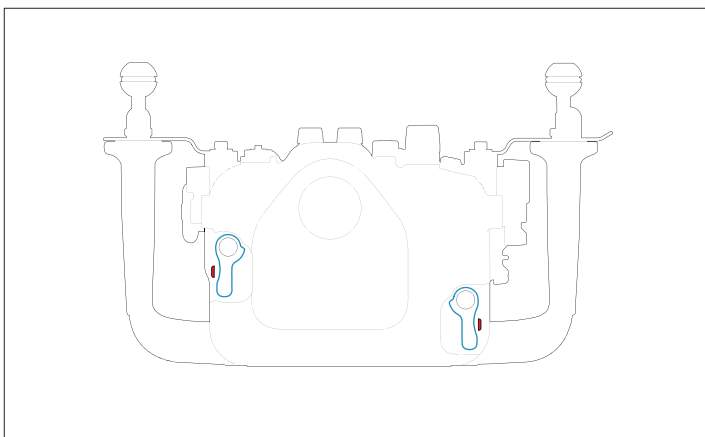
make sure nothing is caught between front and back housing and that they are fully aligned before locking

2



turn housing lock inward until you hear and feel it click into place

3



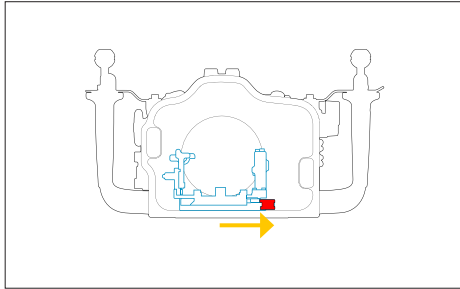
housing locked in place securely

# PREPARATION FOR USE

\* drawings as illustrations only

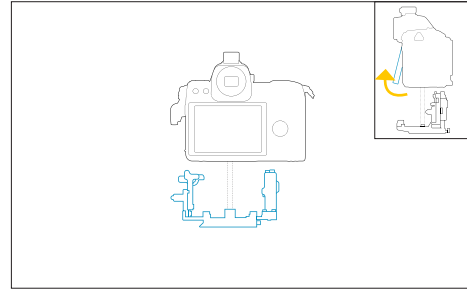
Installing the Camera - housing tray attachment & Z-mount / F-mount lens installment

1



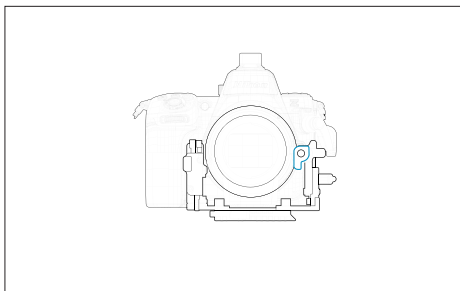
unlock camera tray lever and remove the tray from the housing

2



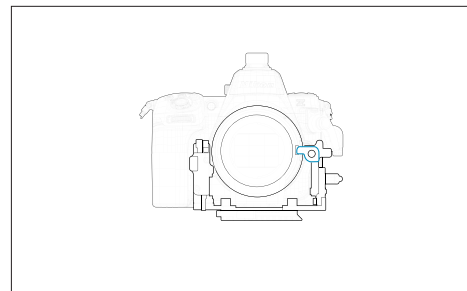
attach the camera tray by tightening the tray screw into the tripod socket of the camera

3 Z-mount / F-mount lens installment



**Z-mount lens**

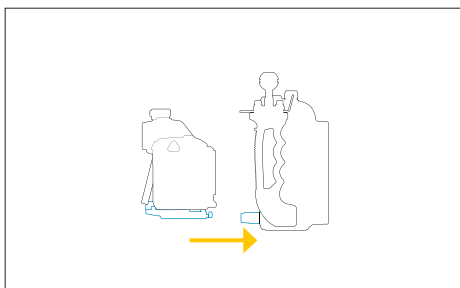
make sure the small lever is in vertical position before Z mount lens installment



**F-mount lens (w/ FTZ/FTZ II adaptor)**

make sure the small lever is in horizontal position before F mount lens installment

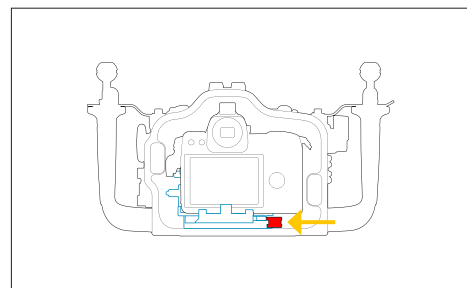
4



*\* pull out the zoom/focus knob if installing the camera with lens and gear attached*

make sure the hotshoe plug cable is not obstructed then slide the camera tray back into the housing along the tray rail

5



*\* place the zoom/focus knob in place and make sure it is engaged with lens gear*

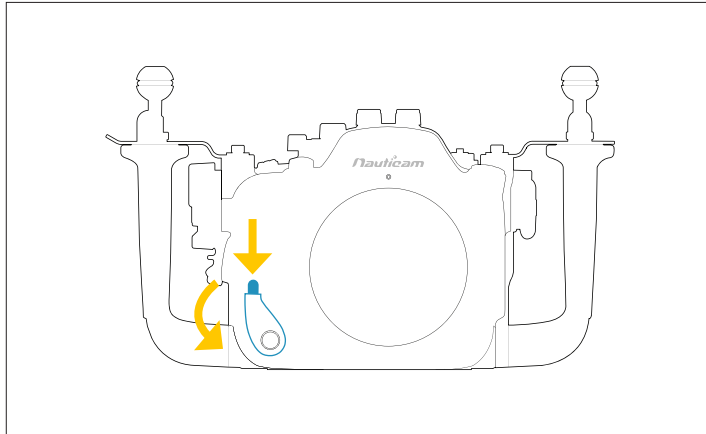
lock camera tray

# PREPARATION FOR USE

\* drawings as illustrations only

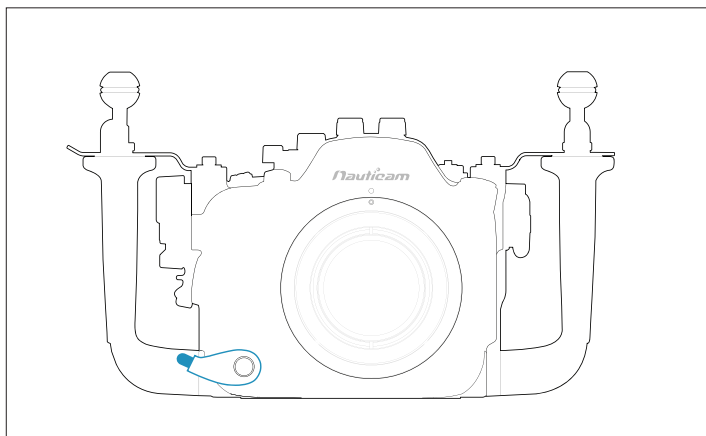
Port Mounting

1



depress safety button and rotate anti-clockwise

2

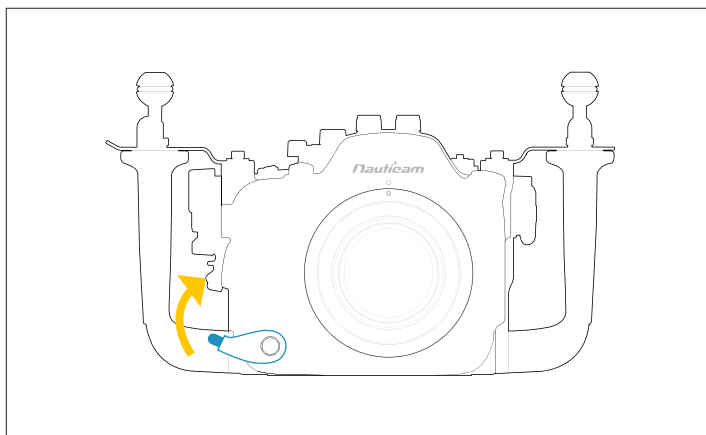


lubricant the port O-ring before mounting

align index mark

push port assembly straight in

3

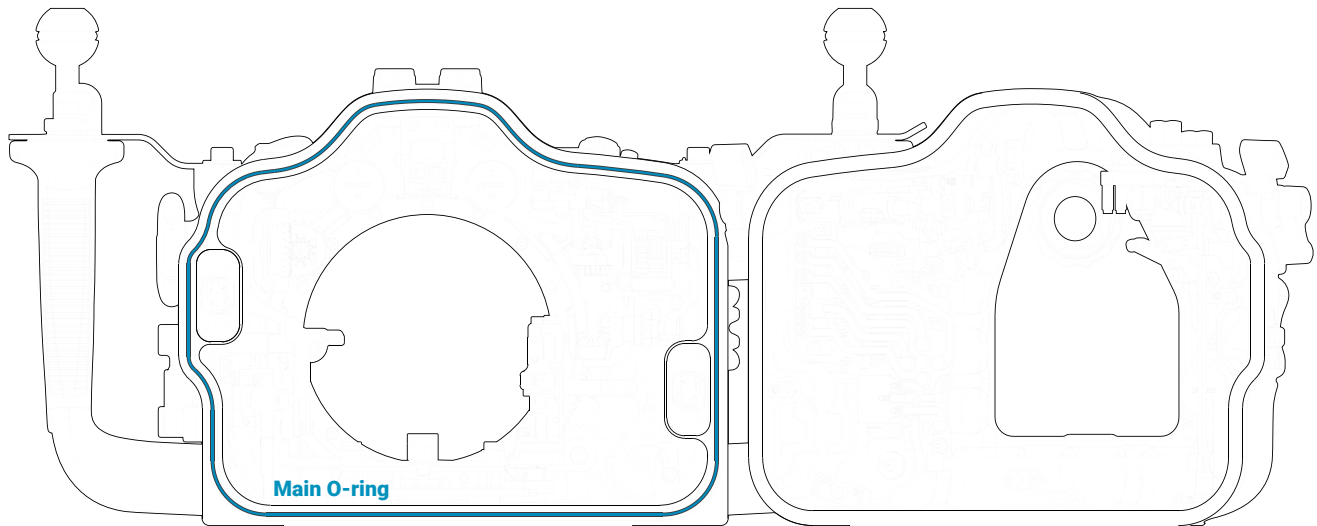


rotate locking lever clockwise to lock

# PREPARATION FOR USE

\* drawings as illustrations only

Coating housing O-ring

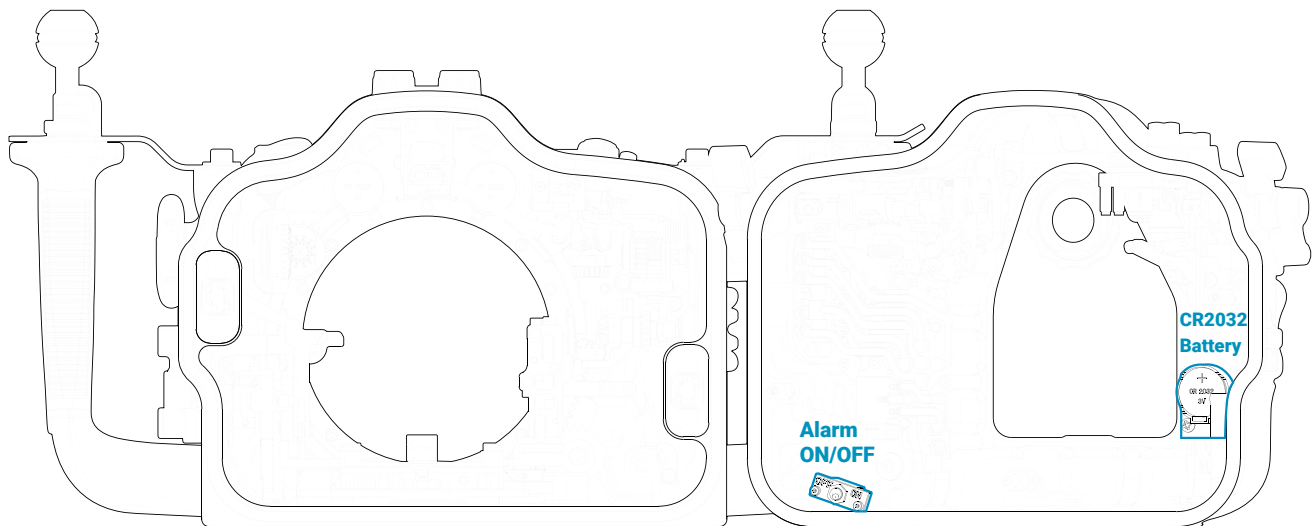


- 1  
remove the main O-ring using an O-ring remover
  
- 2  
clean the O-ring groove with a cloth and ensure that it is free from salt or other foreign materials
  
- 3  
lightly coat it with provided lubricant
  
- 4  
return the main O-ring by slowly pressing from one corner to the whole perimeter

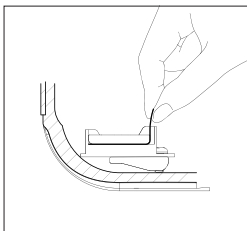
# PREPARATION FOR USE

\* drawings as illustrations only

Setting up moisture alarm

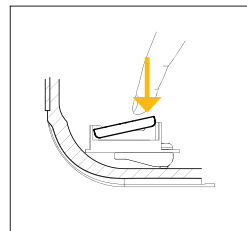


1



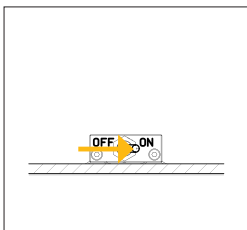
remove battery  
insulation film

2



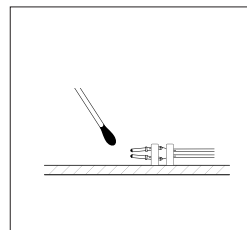
press the battery down until it  
click into place

3



switch on the alarm  
- the moisture alarm  
window will flash in  
**BLUE** when it is working  
correctly

4



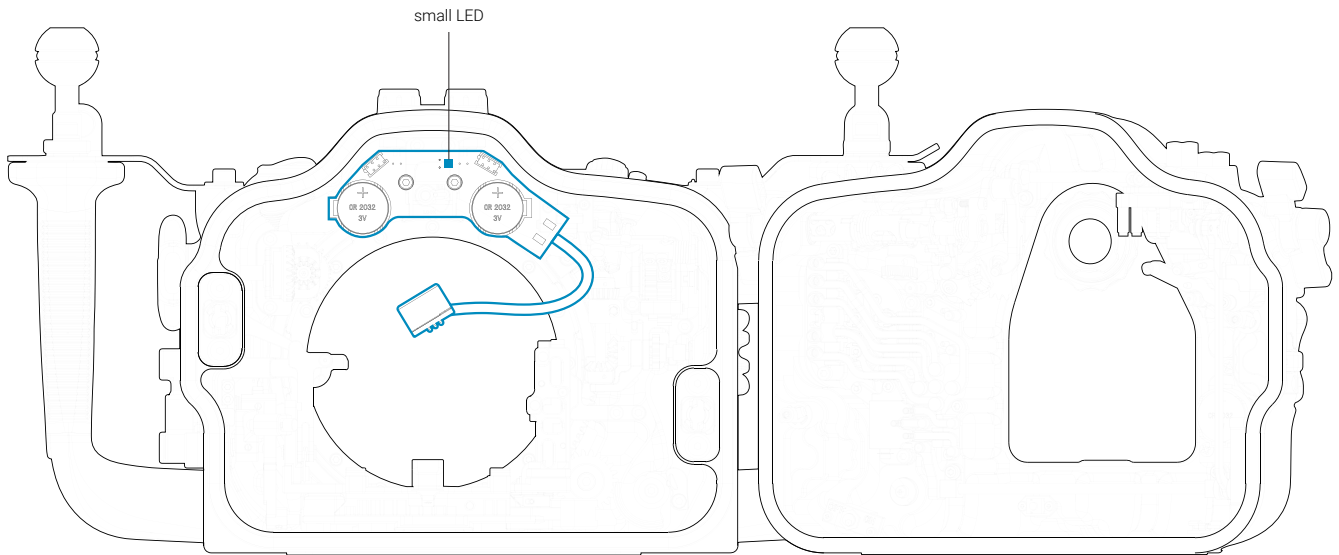
test the alarm  
- connect the wires with a  
dampened cotton bud; the  
alarm will give a repeating  
'beep' and the moisture alarm  
window will flash **RED**

\* please contact our authorized service centers if testing fails  
\* please refer to page 17 for complete vacuum system guidance

# PREPARATION FOR USE

\* drawings as illustrations only

Setting up integrated LED flash trigger



This housing uses an integrated LED flash triggering system. This optical flash trigger can fire at the full fps of the camera, making it the ideal solution for the rapid fire fast action shooting. The LED trigger circuitboard is mounted directly to the front of the housing, and connected to the camera with a hotshoe cable.

- 1 insert the CR2032 batteries into the battery holders  
*\* positive terminal should be facing up*  
the small LED located next to the batteries indicate the battery level, please change the batteries once they turn **RED**
- 2 connect the hotshoe plug to the camera hotshoe  
test the flash trigger by pressing the shutter release button on the camera  
the LEDs under optical bulkheads should flash instantaneously

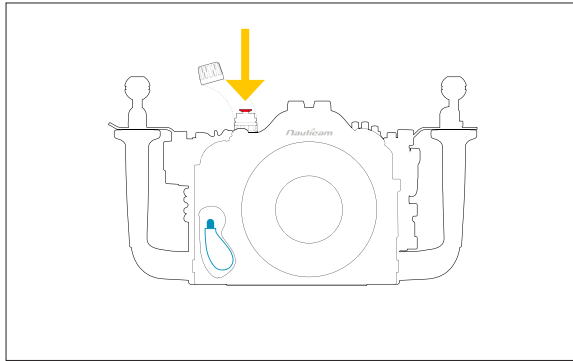
*\* please contact our authorized service centers if testing fails*

# PREPARATION FOR USE

\* drawings as illustrations only

Changing lens/port without opening the housing

1

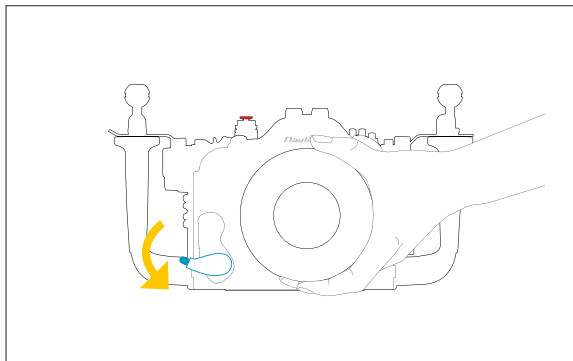


If using with vacuum valve :

remove the cap from the vacuum valve and press the red button to release pressure before unlocking port lock

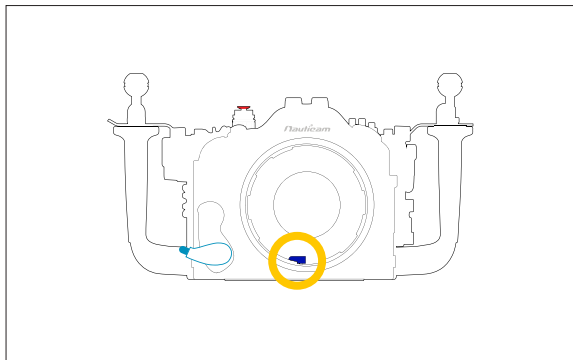
If using without vacuum valve, please follow from step 2

2



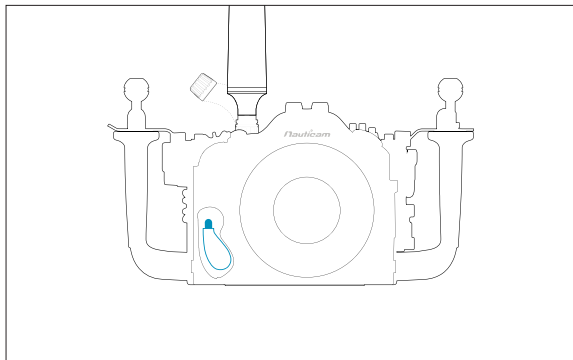
unlock port lock and remove port assembly

3



press the blue button to reset vacuum alarm before replacing port

4



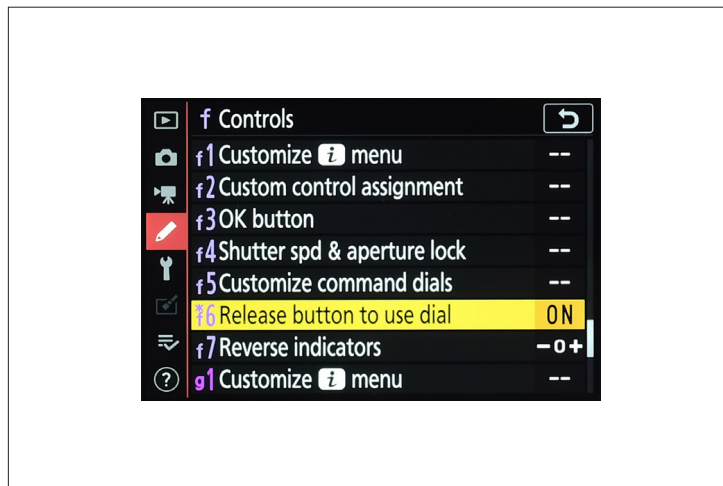
replace port assembly then lock port lock

reset vacuum valve system using hand pump and close the cap after

\* please refer to page 17 on complete vacuum system guidance

# PREPARATION FOR USE

Please follow the below settings for easy adjustments of ISO & +/- value (without removing hands from handles) while using the housing :



In the Custom Settings menu under **f6(Release button to use dial)**, Select **[ON]**.

*This allows adjustments that are normally made by holding a button and rotating a command dial to be made by rotating the command dial after the button is released. This ends when the button is pressed again, the shutter-release button is pressed halfway, or the standby timer expires.*

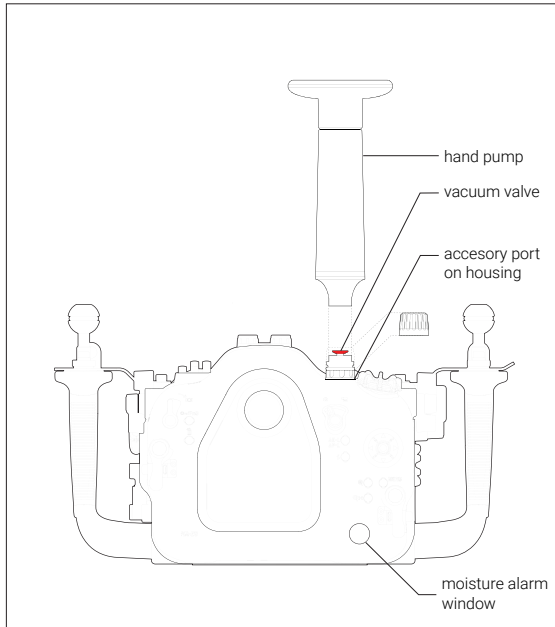


# OPTIONAL ACCESSORIES

\* drawings as illustrations only

Vacuum valve system

1



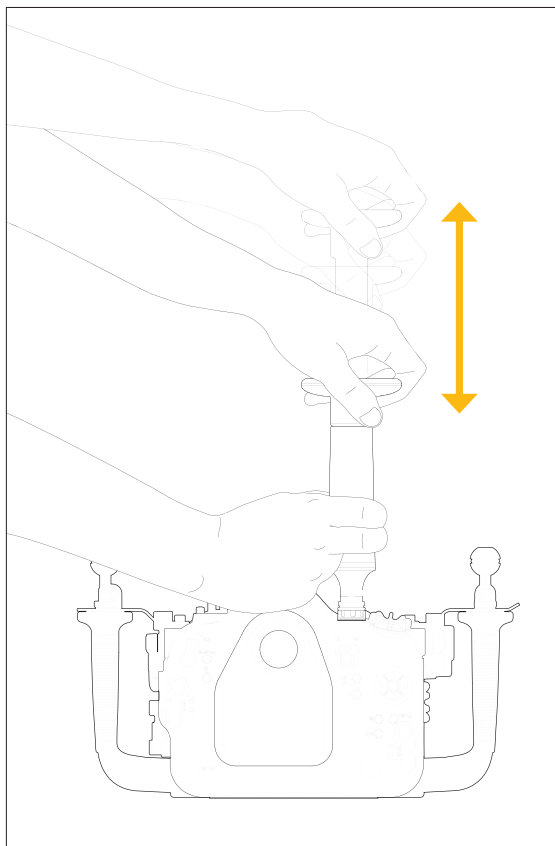
remove the plug of M16 accessory port from the housing

remove the cap from the vacuum valve

slightly lubricate the o-ring and make sure the o-ring is in place

then tighten the vacuum valve to the housing with the tool provided

2



connect hand pump to the valve and pump several times until it reaches the target vacuum level

close vacuum valve cap

Moisture alarm window colour indication :

Steady Blue		device is turned on
Flashing Blue		standby mode, ready for pumping
Steady Green		target vacuum level is reached
Flashing Yellow		vacuum level is dropping
Flashing Red		vacuum is totally lost, circuit stalled until device is switched off
Alternating Blue and Red		vacuum is totally lost, circuit stalled until device is switched off
Steady Red		out of battery

*\* It is recommended to leave the housing for at least 20mins to ensure it is sealed. If the LED light changes from steady green light to rapidly flashing yellow light, that means there is a leakage. Please check every O-ring and then conduct the vacuum test again.*

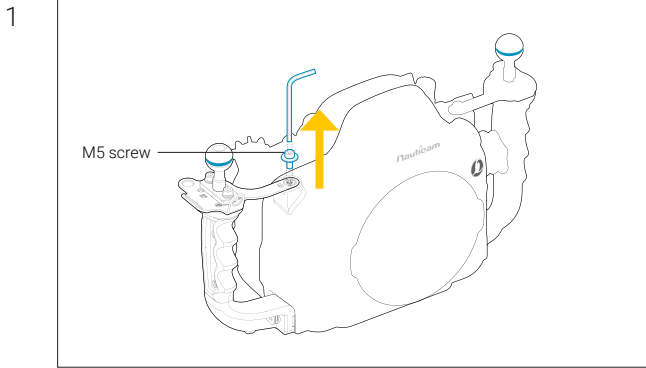
*\* please contact our authorized service centers if testing fails*

# OPTIONAL ACCESSORIES

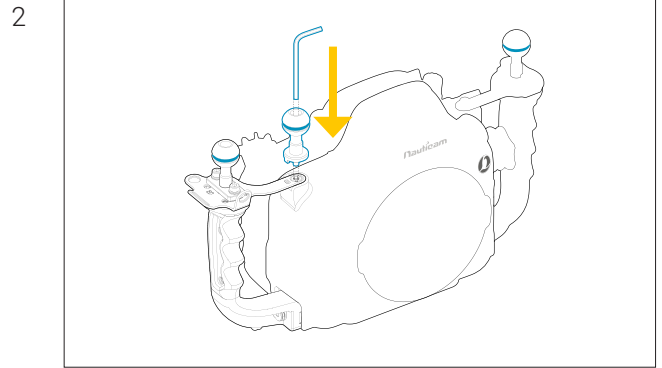
\* drawings as illustrations only

Strobe Mounting Ball

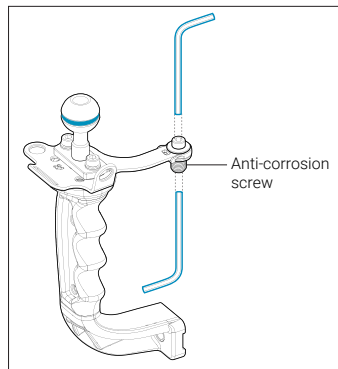
## Installing M5 Strobe Mounting Ball - RECOMMENDED



remove M5 screw with the allen key provided in the housing package

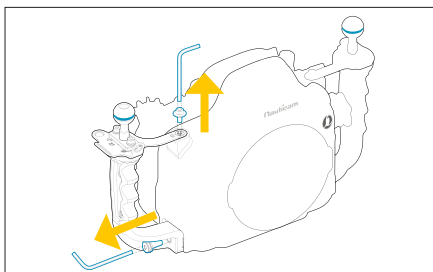


screw #25228 M5 Strobe mounting ball directing onto the M5 thread

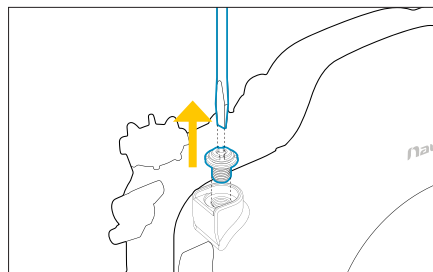


*\* the anti-corrosion screw may also be unscrewed while removing M5 screw, if this is happening, you can separate the parts as shown in the diagram on the left*

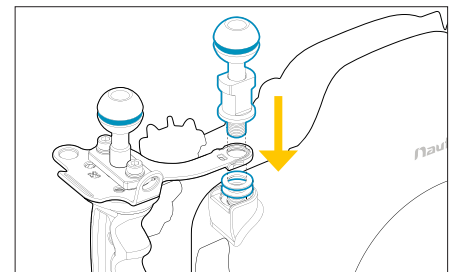
## Installing M10 Strobe Mounting Ball - Optional



1  
remove M5 screw and housing handle screw on the side

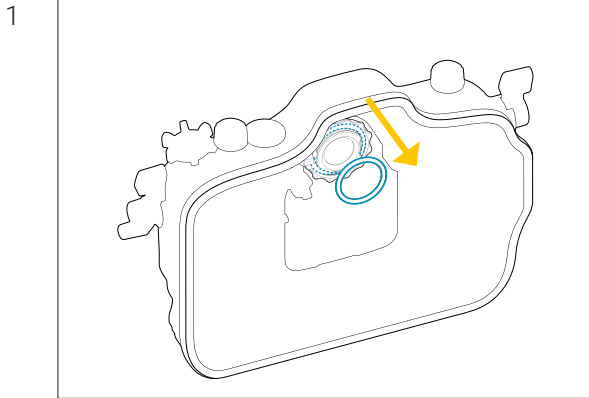


2  
take out the handle and remove the anti-corrosion screw

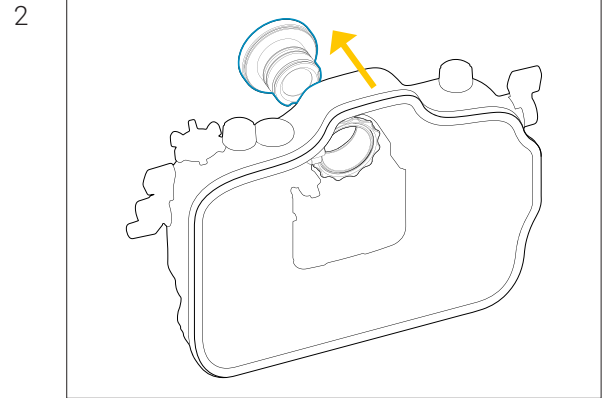


3  
replace the handle and screw the M10 Strobe mounting ball onto the housing as shown

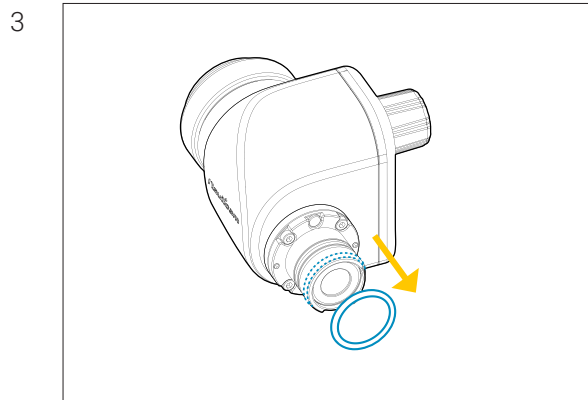
# OPTIONAL ACCESSORIES



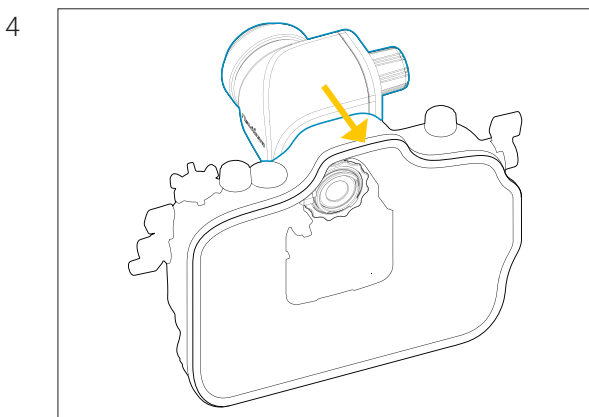
firstly remove the pre-installed 0.66x viewfinder from the housing by removing the retainer o-ring inside rear housing



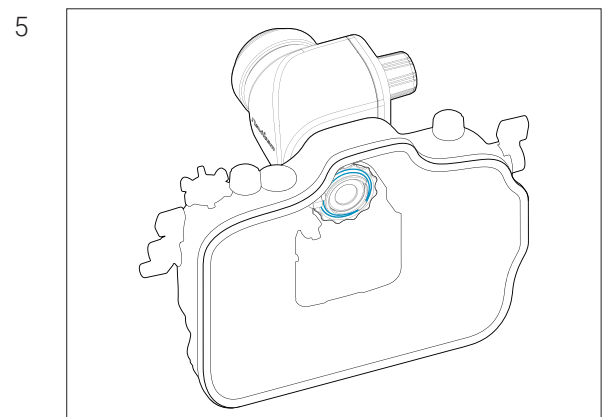
gently push the 0.66x viewfinder from the inside of the housing



remove the retainer o-ring from the viewfinder



align the viewfinder alignment pins with the LCD display window and push the viewfinder into the housing until it cannot go in any further



lightly lubricate the retainer o-ring and place it back from inside the housing

## CARE/STORAGE

1

Soak the housing system in fresh water after salt water usage

2

Operate all controls and buttons at least 3 times while immersed in fresh water

3

We recommend cleaning and inspecting the main O-ring each time after diving for any damage and every time the housing is opened.

4

Protect the housing with robust and shock-proof travel case during transportation. Do not travel with camera inside housing.

5

We recommend to ship the housing to our service centers for a complete overhaul after 500 dives/every 3 years.

# WARRANTY

All NAUTICAM Housing Products and Viewfinders are warranted against any material and manufacturing defects for two years from the date of purchase for consumer use. NAUTICAM Optical Accessories are warranted against material and manufacturing defects for a period of one year, and HDMI cables carry a year warranty.

This warranty only applies to products purchased from authorized NAUTICAM dealers and does not extend beyond the original retail purchaser.

To return your product for service, please contact your regional authorized service center(s). Please note that this warranty only applies when the product is purchased in the territory where the service center is located.

NAUTICAM accepts no liability for any damage to and defects in the housing caused by improper use and/or poor maintenance; it is the responsibility of the owner to carefully follow the instructions in our manuals.

NAUTICAM does not hold responsibility for damage, of any nature, to any equipment used with and/or placed within our products.

NAUTICAM accepts no liability for any loss of captured images or the inability to capture images even if it is due to the malfunctioning of our products.

Unauthorized modifications and/or repairs of our products will automatically invalidate the warranty.

# SPECIFICATIONS

## Construction

Housing body	Hard Anodized Aluminium Alloy
Display window	Abrasion Resistant Polycarbonate

## Dimensions

Width	356 mm
Height	204 mm
Depth	163 mm

## Weight

In air	3.4 kg
Buoyancy in water	Negative 0.05 kg (Includes camera and battery)

## Depth

Rating	100 m
--------	-------

## Port specifications

Port mount	N 120 Port System
Port accessories	1 x M24, 2 x M16, 1 x M10, 4 x 1/4"-20UNC Threaded Holes

## Optional accessories

25221 M10 strobe mounting ball for housing
25218 Mounting Ball Set for Tripod (for NA-A9/A7RIII/BMPCC/XT3)
25625 M16 Vacuum Valve II (Pushbutton Release)
32203 Nauticam 45° viewfinder
32211 Nauticam Full Frame Straight Viewfinder 32°/ 1:1
32212 Nauticam Full Frame Straight Viewfinder 40°/ 0.8:1
32213 Nauticam Full Frame Angle Viewfinder 32°/ 1:1

## Optional accessories

32214 Nauticam Full Frame Angle Viewfinder 40°/ 0.8:1
26216 Universal Optical Fiber Cable
25081 M24-M16 Step Down Adaptor
28123 Pair of handles - size S (10mm closer to housing), 25011 is required.
25011 Set of spacers and long screws (for increasing handle distance)
28130 Hand Strap for 28113 (For NA-1DXII/1DXIII/D500/D5/80D/A9/R5)
17959 Housing Mounting Ball with 1/4" Screws
17951 Nauticam Atomos Shogun housing mounting system
17954 Tripod plate for NA-A7S and NA-GH4
17957 Nauticam Atomos Shogun Housing Mounting Adaptor for NA-S1R/S1H/BMPCC/E2F/R3/Z9(SN from A439736)
17960 Universal Quadra-Pod Plate for Nauticam Housings

## Buoyancy options

72216 Ø70x200mm Carbon Fibre Aluminium Float Arm (Buoyancy 370g)
72217 Ø70x250mm Carbon Fibre Aluminium Float Arm (Buoyancy 520g)
72218 Ø70x300mm Carbon Fibre Aluminium Float Arm (Buoyancy 670g)
72219 Ø90x170mm Carbon Fibre Aluminium Float Arm (Buoyancy 450g)
72220 Ø90x220mm Carbon Fibre Aluminium Float Arm (Buoyancy 720g)
72233 Single Bayonet Holder II for Ø70 Float Arm
72234 Double Bayonet Holder II for Ø70 Float Arm
72243 Single Bayonet Holder II for Ø90 Float Arm
72244 Double Bayonet Holder II for Ø90 Float Arm
83252 Bayonet Holder for Arms
83253 Double Bayonet Holder for Armsrm
83254 Bayonet Lens Holder for Inon Float Arms
87516 EMWL Bayonet Holder for Ø70 Float Arm
87517 EMWL Bayonet Holder for Ø90 Float Arm

## HDMI CONNECTION & MONITOR OPTIONS

### HDMI connectivity required accessories ( 2.0 )

25086 M24 Adaptor for HDMI 2.0 Cable
25099 M24A2R200-M28A1R170 HDMI 2.0 Cable

### Monitor options ( 2.0 )

17922 Nauticam Atomos Ninja V Housing for Atomos Ninja V 5" (excl. HDMI 2.0 cable)
17922S Nauticam Atomos Ninja V-S Housing for Atomos Ninja V 5" with Atomos AtomX SDI Module (excl. HDMI 2.0 cable)

### HDMI connectivity required accessories ( 1.4 )

25033 Standard HDMI Bulkhead with M16 Thread
25081 M24-M16 Step Down Adaptor
25100 HDMI (D-A) 1.4 Cable in 190mm Length

\*25033 is included in below monitor housings

### Monitor options ( 1.4 )

17923 NA-Shinobi-H Housing for Atomos Shinobi 5.2" 4K HDMI Monitor
17925 NA-503-H Housing for SmallHD 503 UltraBright On-Camera Monitor

## WET LENS COMPATIBILITY

*\*please refer to Nauticam port charts for more setup information.*

### Nauticam optical lenses

Macro	81201 Super Macro Converter 1
	81202 Super Macro Converter 2
Macro to Wideangle	86201 Macro to Wideangle Lens 1 (MWL-1, 150 deg. FOV with full frame 60mm macro lens)
	87301 EMWL Set #1 (incl. focusing unit #2, 150mm relay lens and 3 objective lenses)
	87302 EMWL Set #2 (incl. focusing unit #2, 150mm relay lens and 3 objective lenses)
	87201 EMWL Focusing Unit #1
	87202 EMWL Focusing Unit #2
	87211 EMWL 150mm Relay Lens
	87212 EMWL Angled Relay Lens
	87221 EMWL 60° Objective Lens
	87222 EMWL 100° Objective Lens
	87223 EMWL 130° Objective Lens
Wideangle	87226 EMWL 160° Objective Lens
	85201 0.36x Wide Angle Conversion Port with Aluminium Float Collar (incl. N120 to N100 port adaptor)
	85203 Wet Wide Lens Compact (WWL-C) 130 Deg. FOV with Compatible 24mm Lenses (incl. float collar)
	85204 0.57x Wide Angle Conversion Port - 2 (WACP-2) 140 Deg. FOV with Compatible 14mm Lenses (incl. float collar)
85205 N100 0.36x Wide Angle Conversion Port Compact (WACP-C)	

### Optional accessories

25101 M67 flip diopter holder for M67 macro ports
25108 M67 Double Flip Holder for M67 Macro Ports
83214 Bayonet Mount Adaptor for SMC/CMC
83250 M67 to Bayonet Mount Converter II
83251 M77 to Bayonet Mount Converter II
86221 M67 Flip holder for MWL-1
86222 Double Flip Holder for MWL-1
87501 Flip Holder for EMWL
87512 Shade for 130° Objective Lens
87513 Shade for 100° Objective Lens
87515 M67 Mount to EMWL Focusing Unit
87516 EMWL Bayonet Holder for Ø70 Float Arm
87517 EMWL Bayonet Holder for Ø90 Float Arm
87518 Strobe Mounting Brackets for EMWL Relay Lens
87519 Shade for 160° Objective Lens

## FLASH TRIGGERING

### Optical

#### Manual Flash Trigger

26350 Integrated Manual LED flash Trigger (Pre-installed)

#### TTL Flash Trigger

26308 TTL Converter for Nikon

### Electrical

26074 M14 Nikonos 5-pin Bulkhead

26075 M14 Ikelite Style Bulkhead

25019 M16 to M14 Step Down Adaptor for Electrical Bulkhead

25097 M24-M14 Step Down Adaptor

**Nauticam Internationl Ltd.**

Rm 2203, CCT Telecom Bldg,  
11 Wo Shing St,  
Fo Tan,  
Hong Kong

Tel. +852 - 26902711  
Fax. +852 - 26909778  
URL. [www.nauticam.com](http://www.nauticam.com)  
Gallery. [www.nauticam.smugmug.com](http://www.nauticam.smugmug.com)