

NA - R7

For Canon EOS R7 Mirrorless Camera

PN 17338

User Manual
Housing
APS-C- MIL

Introduction	2
Package Contents	2
Important Instructions	3
Part Names and Functions	4
Housing Mount	7
Opening the housing	8
Closing the housing	9
Preparation for Use	10
Optional Accessories	17
Care/Storage	20
Warranty	21
Specifications	22

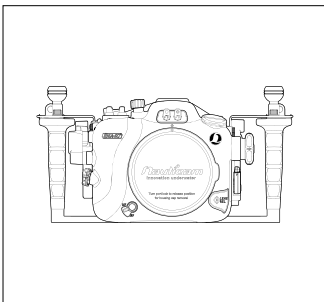
INTRODUCTION

Thank you for purchasing this Nauticam product.

Before using the product, please read this manual thoroughly to familiarize yourself with full scope of functions on the product as well as ensuring that you will use the product correctly.

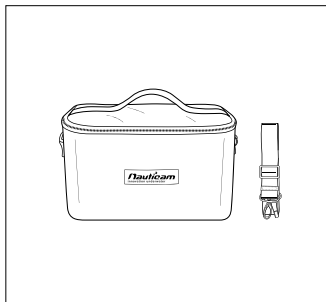
PACKAGE CONTENTS

Make sure that you have all the included items listed below before using this product. If some items are missing or damaged, contact your local Nauticam dealer.

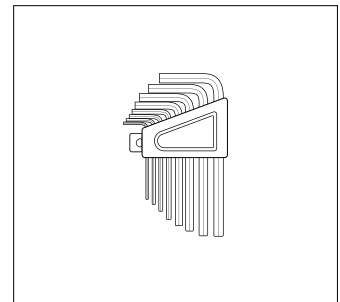


NA-R7

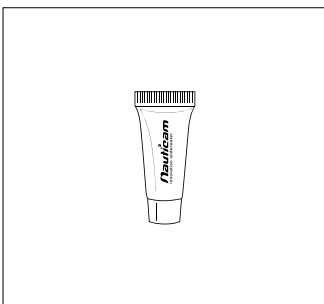
(2 x Handles with Mounting Balls, 1 x Housing Cap, 2 x Optical Fiber Mount Caps, 2 x Stainless Steel Handle Brackets)



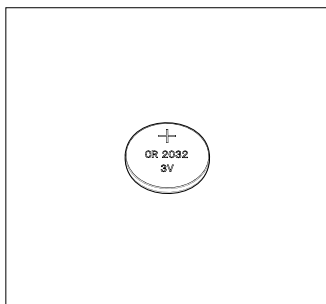
Padded Travel Case



Allen key set

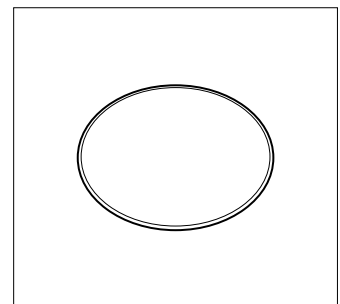


Lubricant



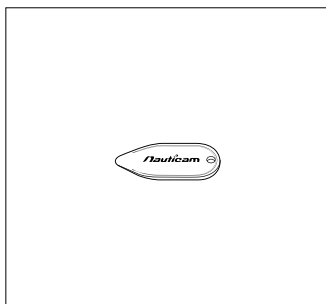
Panasonic CR2032 Battery

(pre-installed for Moisture Alarm)

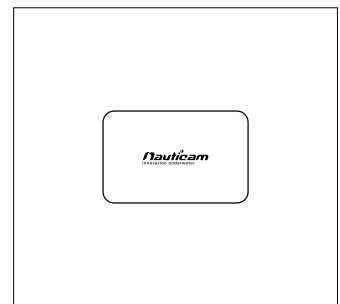


Spare Main O-ring

After purchase, we suggest that you reuse all packaging materials for future travelling.



O-ring Remover



Manual Instruction Card

IMPORTANT INSTRUCTIONS

1

A water-tight/vacuum test without the camera inside the housing is highly recommended when using the system for the first time and after the changing of port and O-ring(s).

3

Discontinue use immediately should you notice any leakage.

5

When travelling by air, do not travel with dome port installed as this may lead to a pressure difference between the atmosphere and inside the housing.

7

Do not open the product in a wet or sandy environment. Protect the interior from moisture and debris in order to prevent malfunction or leakage.

9

Do not leave the housing and the monitor in direct sunlight for prolonged periods.

11

Defective products should be shipped to our distributors for service, unauthorized disassembling and/or modifications could result in malfunction or leakage.

2

Do not use lubricants from other brands with the silicone rubber O-ring on this housing, only use the lubricant provided by NAUTICAM.

4

Store the housing in a robust, shock-proof container during transportation; avoid transporting with any equipment, such as a camera, inside the housing.

6

Care must be taken when opening the housing, as pressure may build up inside the housing which increases the opening force.

8

Do not store the product in an environment of high humidity.

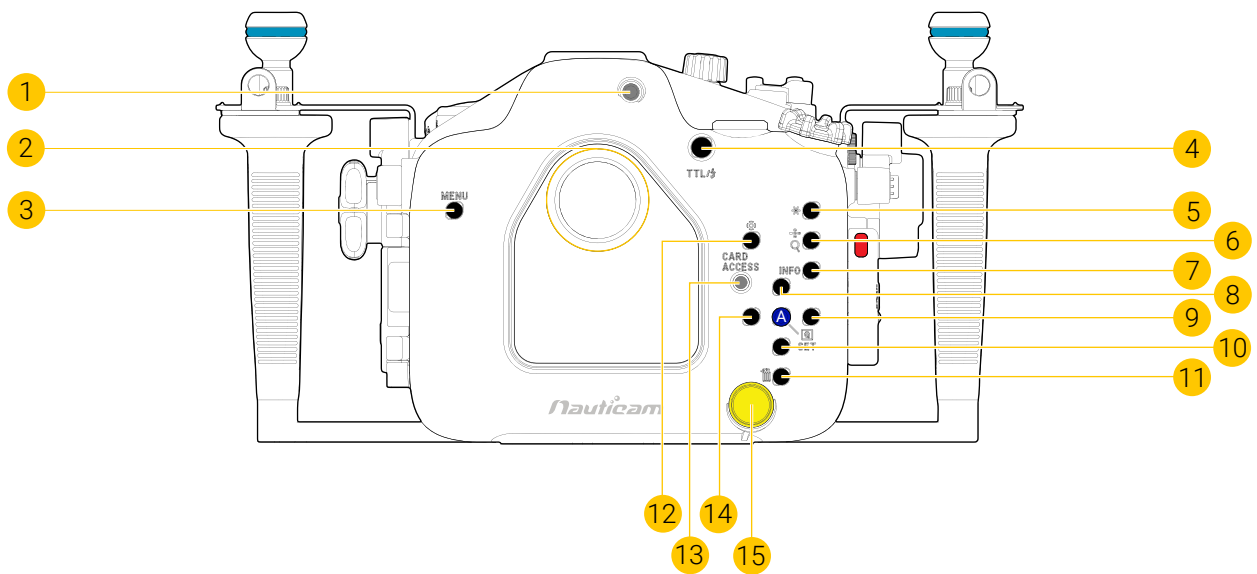


10

This product is not intended for use by children, or persons with reduced physical, sensory or mental capabilities, or lack of experience and knowledge, unless they are supervised and/or given instruction by a responsible person concerning use of the product to ensure that they can use it safely.

PART NAMES AND FUNCTIONS

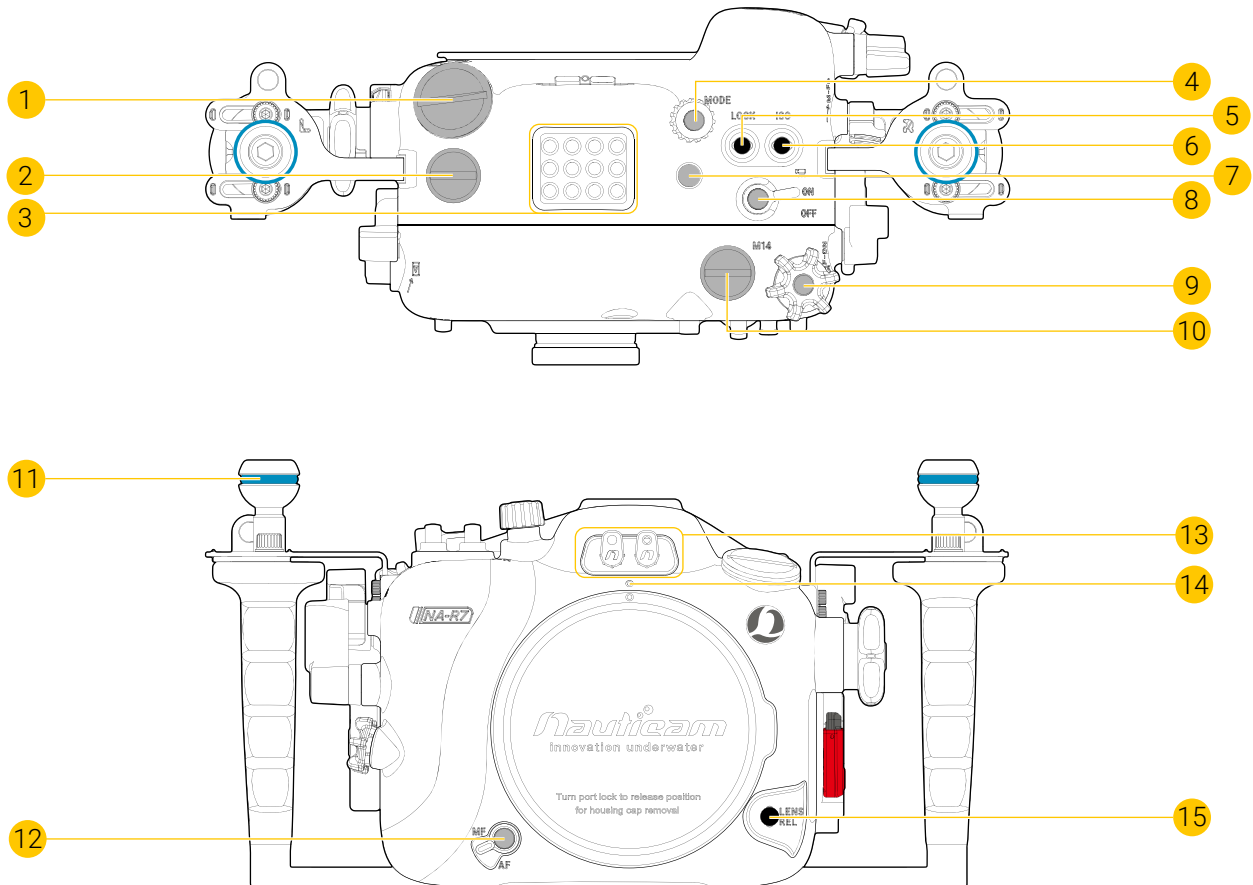
Rear View



- | | | | |
|---|-----------------------|---|--|
| ① | TTL Indicator window | ② | 0.66x Viewfinder |
| ③ | Menu button | ④ | TTL on/off button |
| ⑤ | AE lock button | ⑥ | AF point selection/magnify/reduce button |
| ⑦ | Info button | ⑧ | Up button |
| ⑨ | Right button | ⑩ | Down button |
| ⑪ | Delete button | ⑫ | Multi-controller |
| ⑬ | Access lamp | ⑭ | Left button |
| ⑮ | Moisture alarm window | Ⓐ | Quick Control/Set button |

PART NAMES AND FUNCTIONS

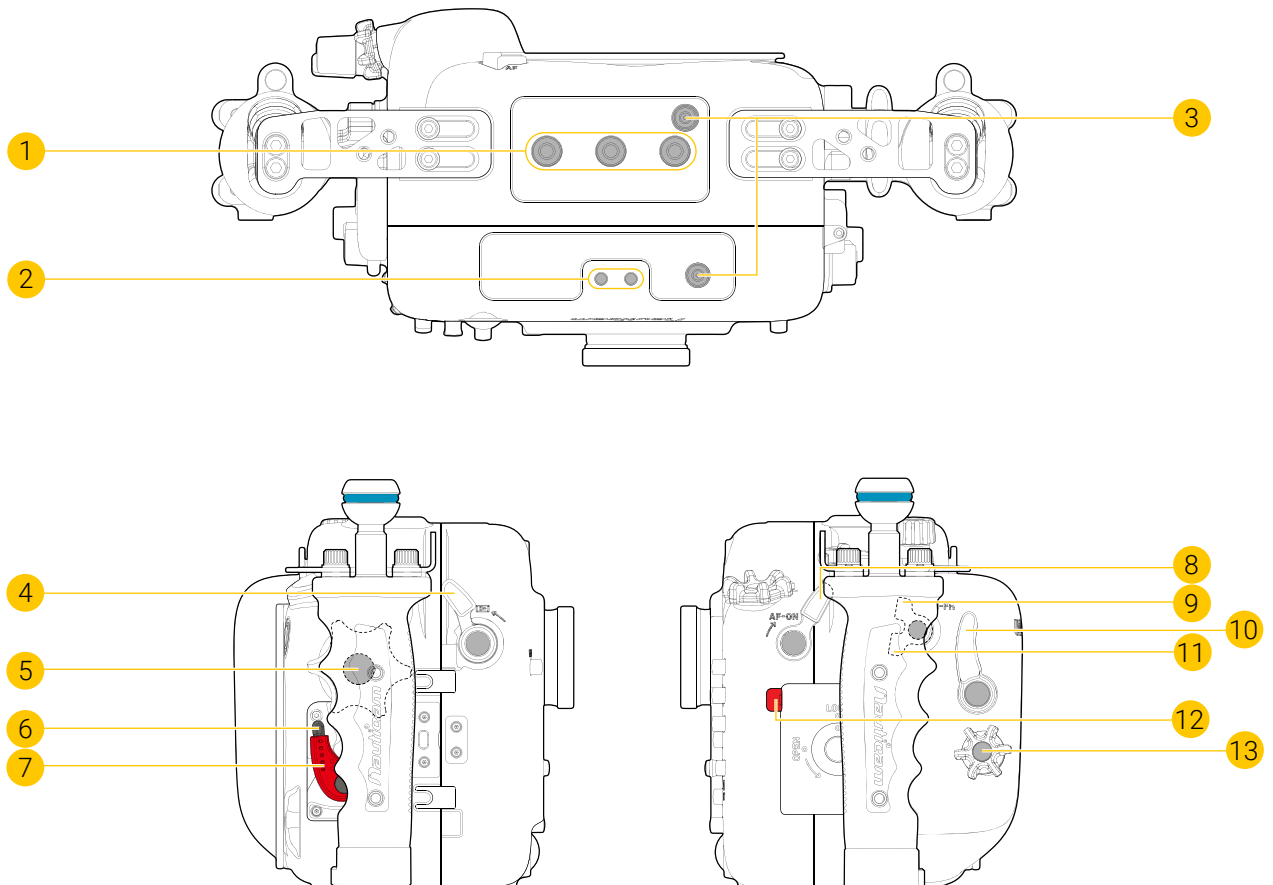
Top + Front Views



- | | | | |
|----|--------------------------------|----|--------------------------|
| 1 | M24 Accessory port | 2 | M14 Accessory port |
| 3 | 1/4" Threaded holes | 4 | Mode dial |
| 5 | Multi-function lock button | 6 | ISO speed setting button |
| 7 | M10 Accessory port | 8 | Main switch |
| 9 | Rear dial | 10 | M14 Accessory port |
| 11 | Accessory mounting ball | 12 | Focus mode switch |
| 13 | Optical fiber cable connection | 14 | Port index mark |
| 15 | Lens release button | | |

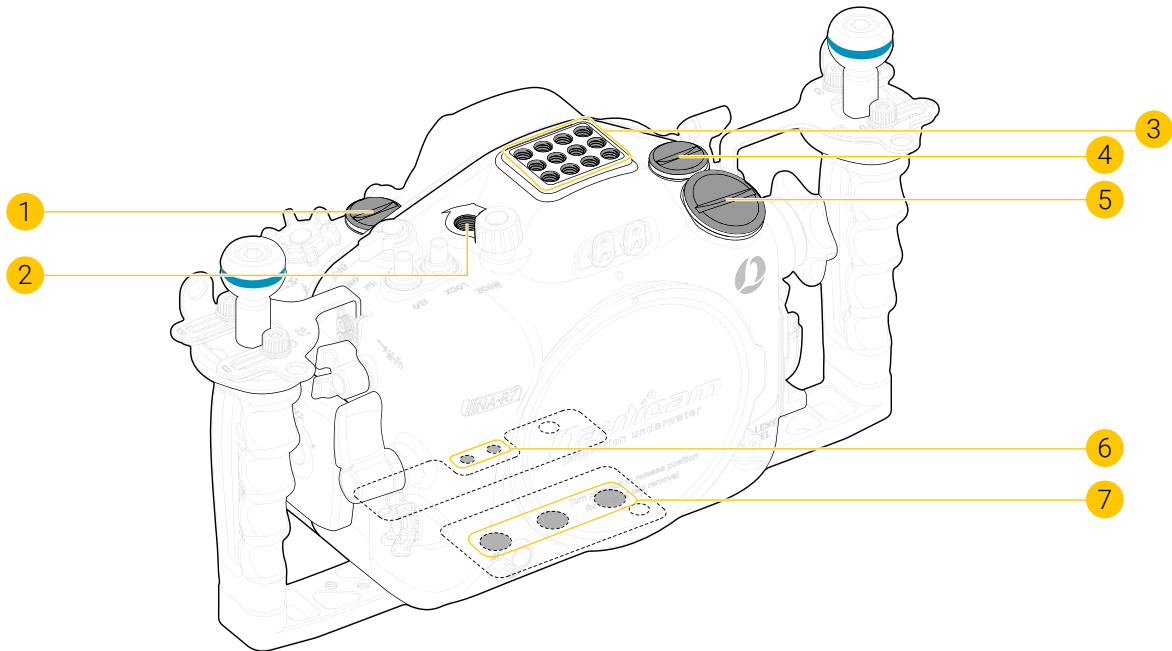
PART NAMES AND FUNCTIONS

Back + Side Views



- 1 1/4" Threaded tripod holes
- 2 M5 Threaded holes
- 3 Sacrificial zinc anodes
- 4 Playback lever
- 5 Zoom/Focus knob
- 6 Port lock safety button
- 7 Port locking lever
- 8 AF-ON lever
- 9 M-Fn lever
- 10 Shutter release lever
- 11 REC lever
- 12 Housing unlock button
- 13 Front dial

HOUSING MOUNT



Housing mount

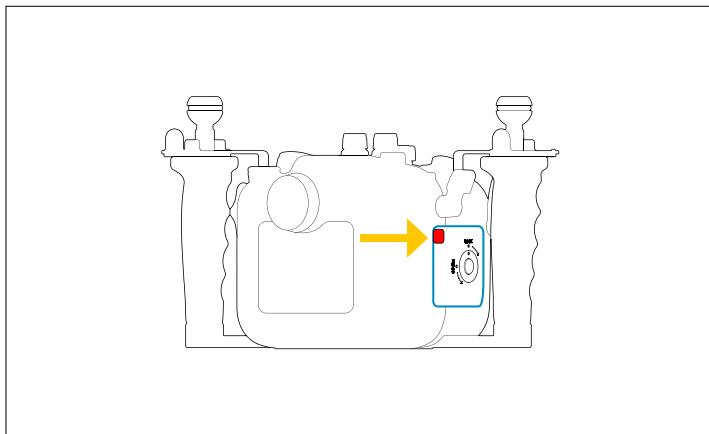
Compatible accessories

1	M14 Accessory port	25624	M14 Vacuum Valve II (Optional)
2	M10 Accessory port	25221	M10 Strobe mounting ball
		25224	M10 Strobe mounting ball with hole
3	1/4" -20 mounting threads	17959	Housing Mounting ball with 1/4" screws
4	M14 Accessory port	25033	Standard HDMI bulkhead with M16 thread
		25017	M14 6 pin bulkhead for Canon system
		25020	Canon hotshoe plug to a M14 Nikonos bulkhead (x and ground connection only)
5	M24 Accessory port	25086	M24 adaptor for HDMI 2.0 cable
		25077	HDMI 2.0 cable
6	M5 Threaded holes	25218	Mounting ball set for tripod legs
7	1/4" -20 mounting threads	17954	Universal tripod plate
		17960	Universal Quadra-Pod Plate for Nauticam Housings

OPENING THE HOUSING

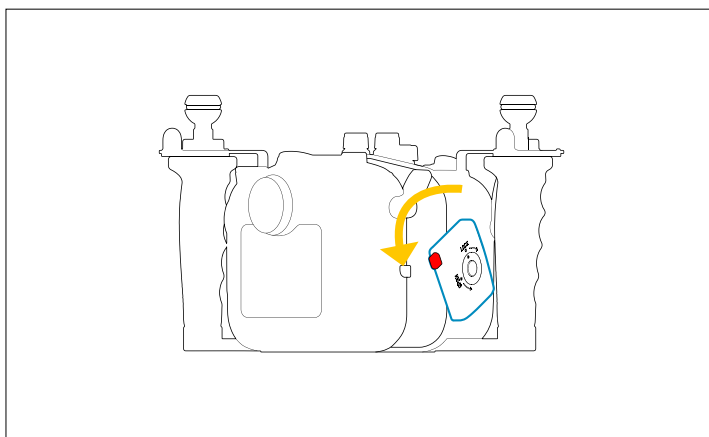
* drawings as illustrations only

1



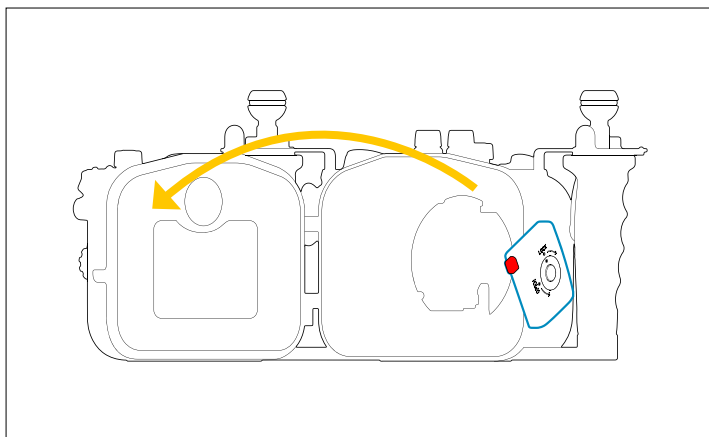
depress housing unlock button

2



turn housing lock latch
anti-clockwise to open the
housing

3

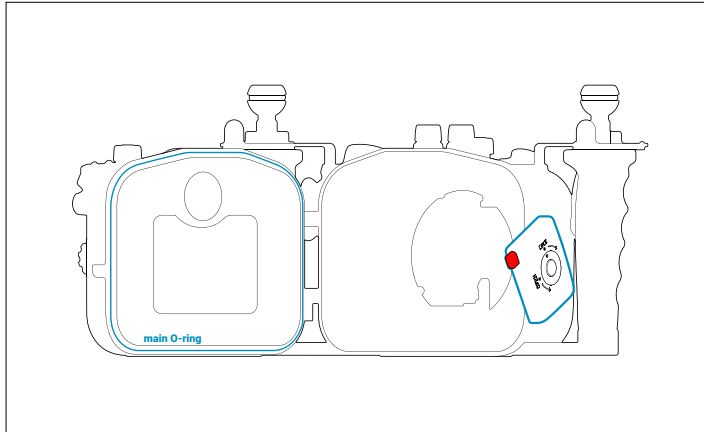


flip open the back housing
when lock latch is aligned to
'open' position

CLOSING THE HOUSING

* drawings as illustrations only

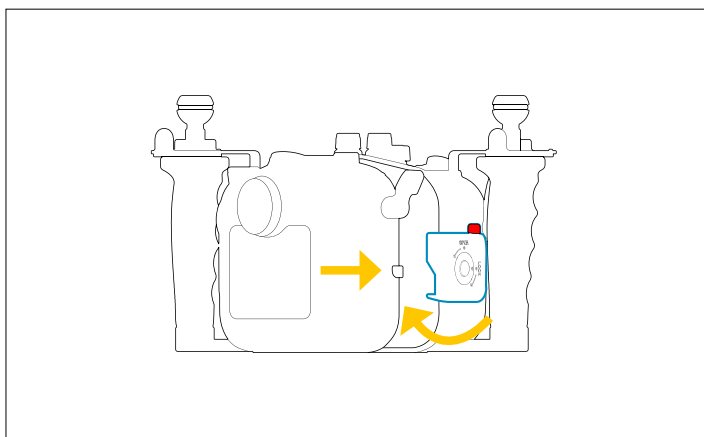
1



before closing the housing, clean and lubricate the main O-ring

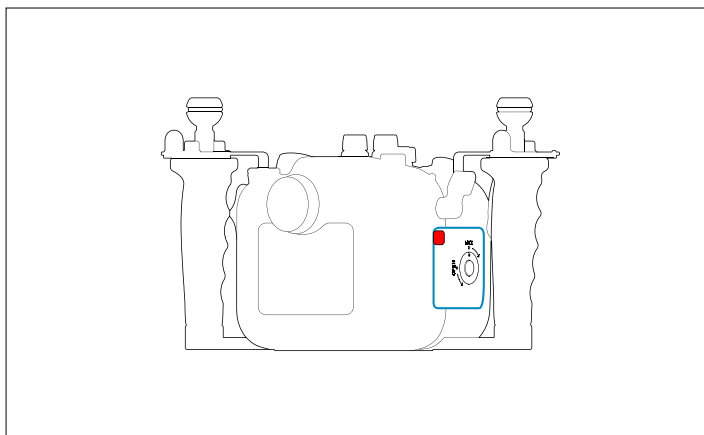
make sure nothing is caught between front and back housing and that they are fully aligned before locking

2



insert the housing shaft into the shaft hole and then rotate the lock latch clockwise until you hear and feel it click into place

3



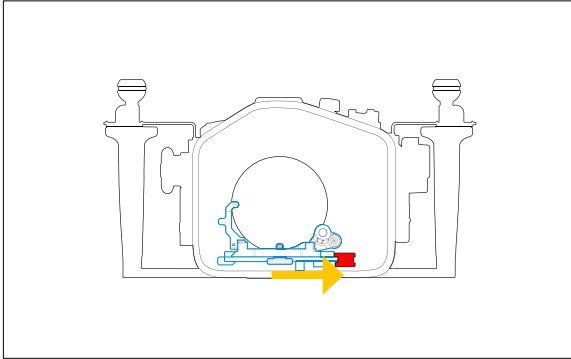
housing locked in place securely

PREPARATION FOR USE

* drawings as illustrations only

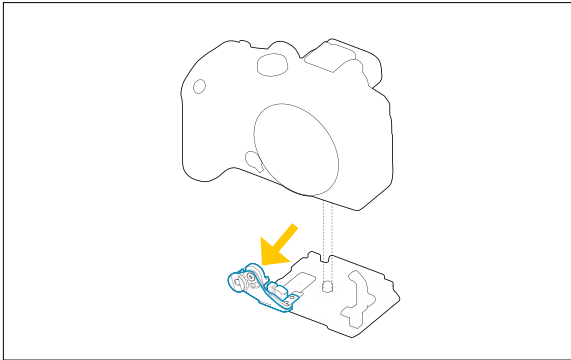
Installing the Camera - housing tray attachment

1



unlock camera tray lever and remove the tray from the housing

2

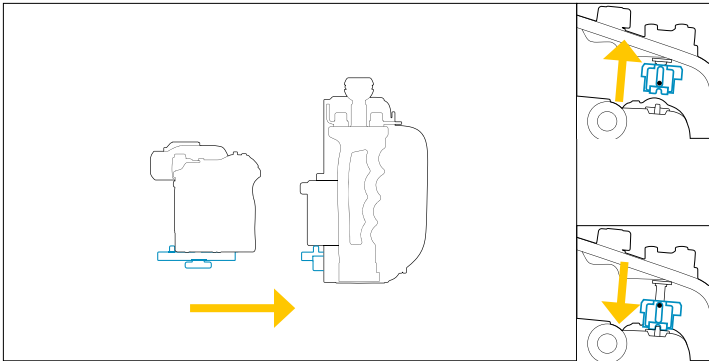


** pull out the actuator for focus mode switch on the camera tray as shown*

attach the camera tray by tightening the tray screw into the tripod socket of the camera

place the actuator on the camera tray in place and make sure it is engaged with the focus mode switch on the camera

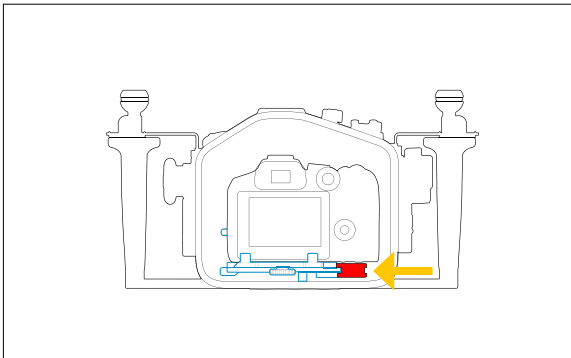
3



** pull out the zoom/focus knob if installing the camera with lens and gear attached*
** lift up actuator of ON/OFF lever each time before installing the camera*

slide the camera tray back into the housing along the tray rail

4



lock camera tray

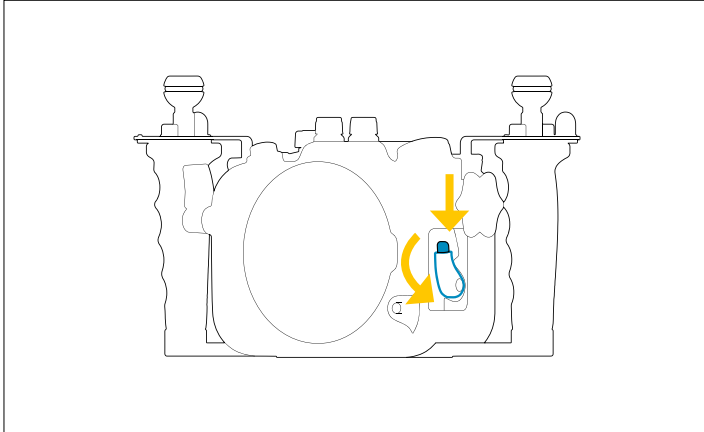
** place the zoom/focus knob in place and make sure it is engaged with lens gear*
** gently push the actuator of ON/OFF lever downwards make sure it is engaged with the lever on the camera*

PREPARATION FOR USE

* drawings as illustrations only

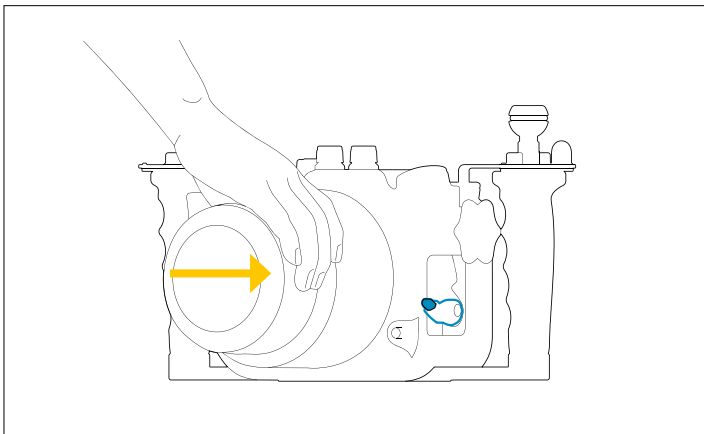
Port Mounting

1



depress port lock safety button
and rotate anti-clockwise

2

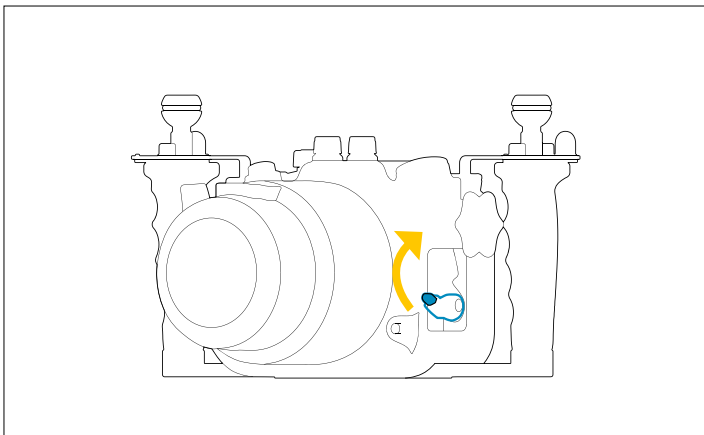


lubricant the port O-ring before
mounting

align index mark

push port assembly straight in

3

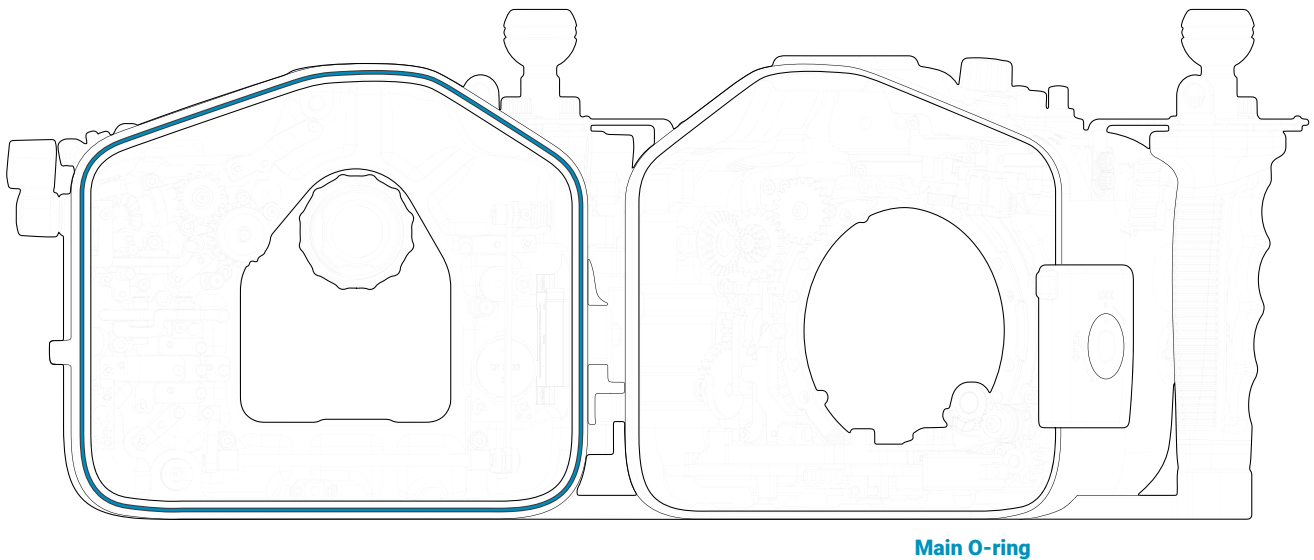


rotate locking lever clockwise to
lock

PREPARATION FOR USE

* drawings as illustrations only

Coating housing O-ring



- 1
remove the main O-ring using an O-ring remover

- 2
clean the O-ring groove with a cloth and ensure that it is free from salt or other foreign materials

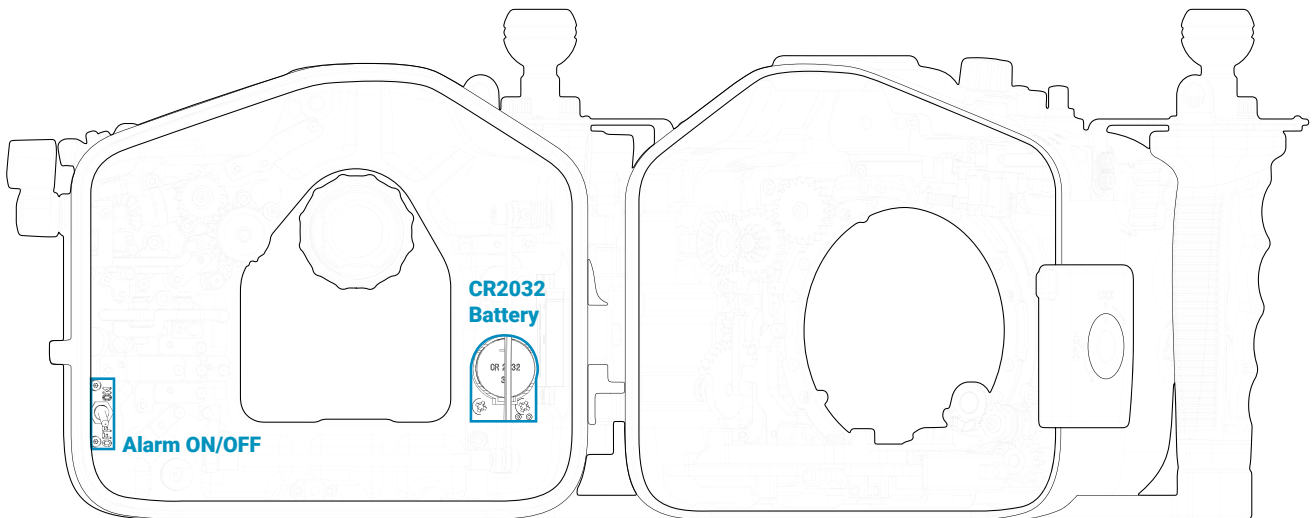
- 3
lightly coat it with provided lubricant

- 4
return the main O-ring by slowly pressing from one corner to the whole perimeter

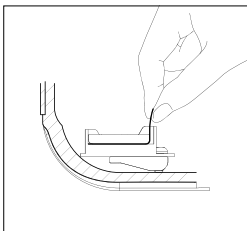
PREPARATION FOR USE

* drawings as illustrations only

Setting up moisture alarm

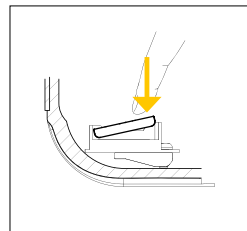


1



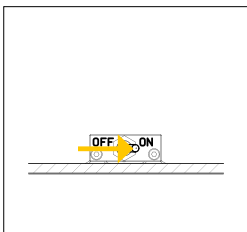
remove battery insulation film

2



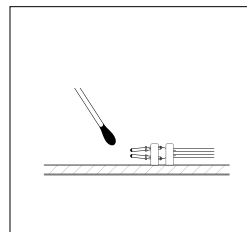
press the battery down until it click into place

3



switch on the alarm
- the moisture alarm window will flash in **BLUE** when it is working correctly

4



test the alarm
- connect the wires with a dampened cotton bud; the alarm will give a repeating 'beep' and the moisture alarm window will flash **RED**

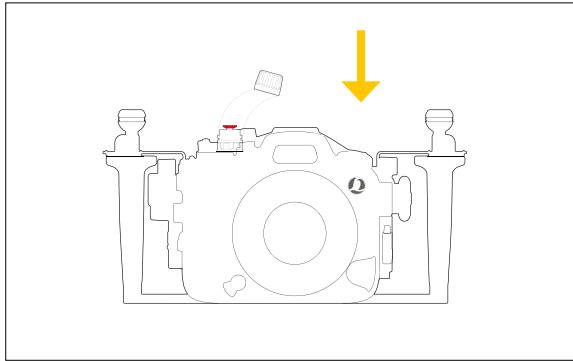
* please contact our authorized service centers if testing fails
* please refer to page 15 for complete vacuum system guidance

PREPARATION FOR USE

* drawings as illustrations only

Changing lens/port without opening the housing

1

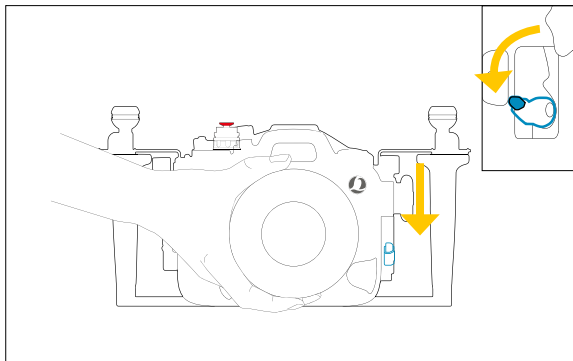


If using with vacuum valve :

remove the cap from the vacuum valve and press the red button to release pressure before unlocking port lock

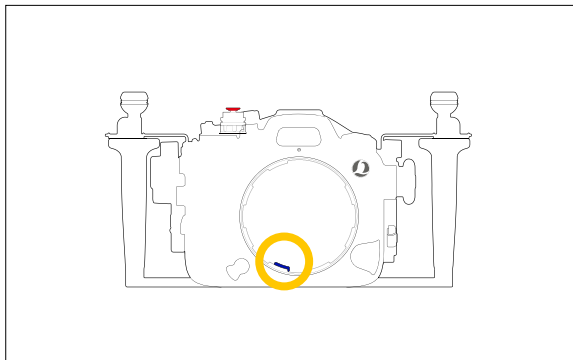
If using without vacuum valve, please follow from step 2

2



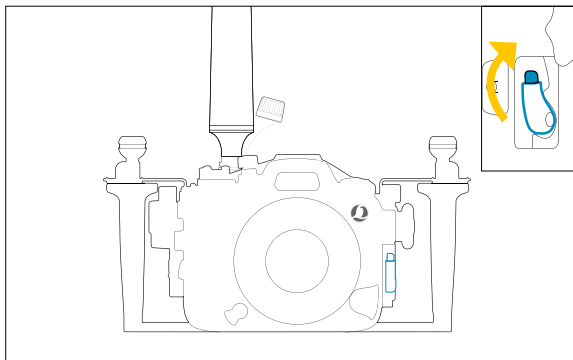
unlock port lock and remove port assembly

3



press the blue button to reset vacuum alarm before replacing port

4



replace port assembly

then reset vacuum valve system using hand pump and close the cap after

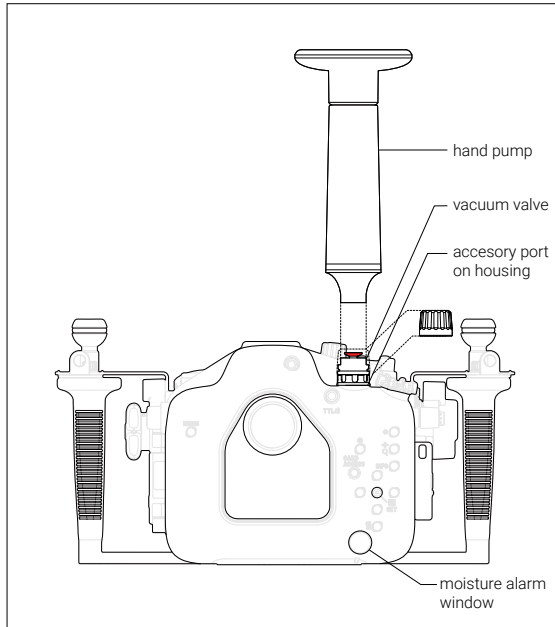
* please refer to page 15 on complete vacuum system guidance

OPTIONAL ACCESSORIES

* drawings as illustrations only

Vacuum valve system

1



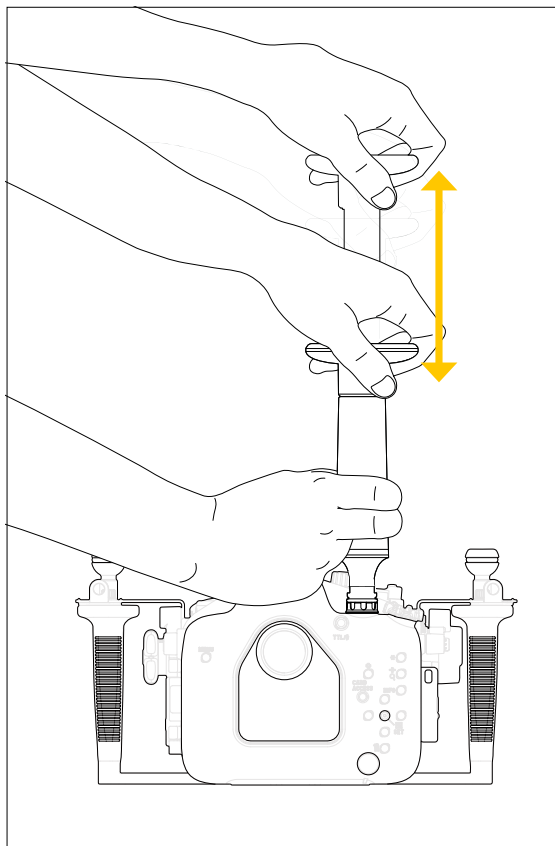
remove the plug of M14 accessory port from the housing

remove the cap from the vacuum valve

slightly lubricate the o-ring and make sure the o-ring is in place

then tighten the vacuum valve to the housing with the tool provided

2



connect hand pump to the valve and pump several times until it reaches the target vacuum level

close vacuum valve cap

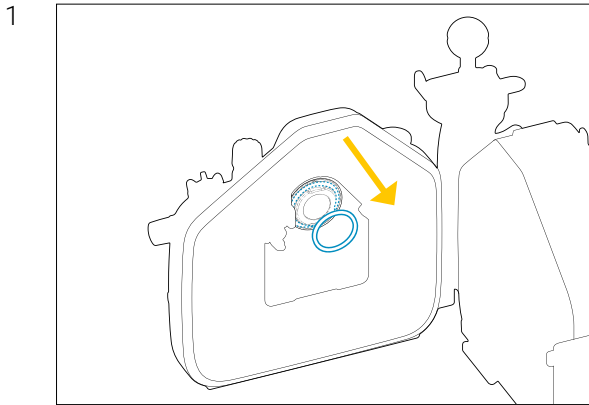
Moisture alarm window colour indication :

Steady Blue		device is turned on
Flashing Blue		standby mode, ready for pumping
Steady Green		target vacuum level is reached
Flashing Yellow		vacuum level is dropping
Flashing Red		vacuum is totally lost, circuit stalled until device is switched off
Alternating Blue and Red		vacuum is totally lost, circuit stalled until device is switched off
Steady Red		out of battery

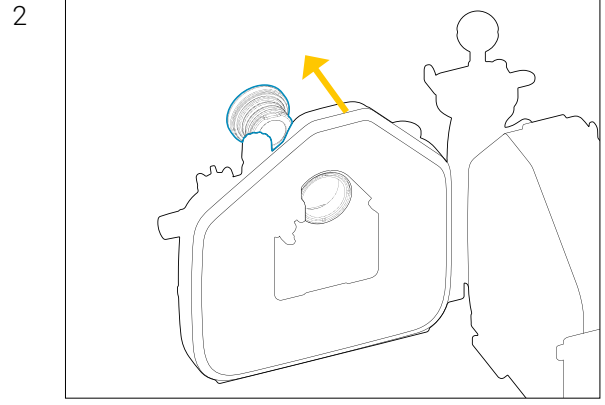
** It is recommended to leave the housing for at least 20mins to ensure it is sealed. If the LED light changes from steady green light to rapidly flashing yellow light, that means there is a leakage. Please check every O-ring and then conduct the vacuum test again.*

** please contact our authorized service centers if testing fails*

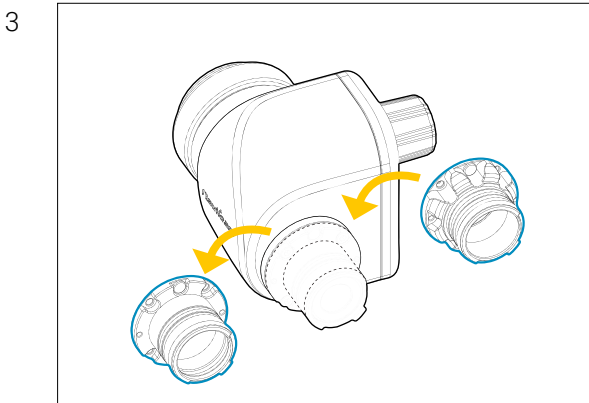
OPTIONAL ACCESSORIES



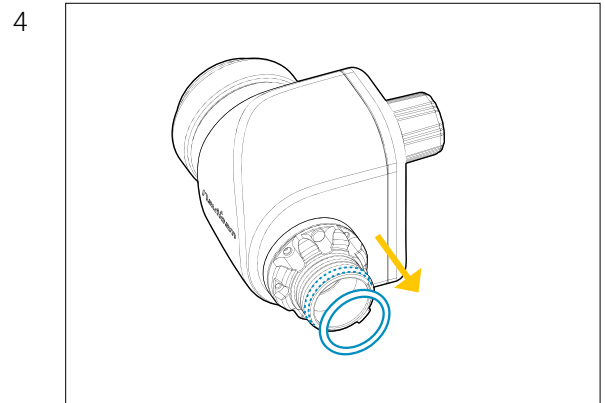
1 firstly remove the pre-installed 0.66x viewfinder from the housing by removing the retainer o-ring inside rear housing



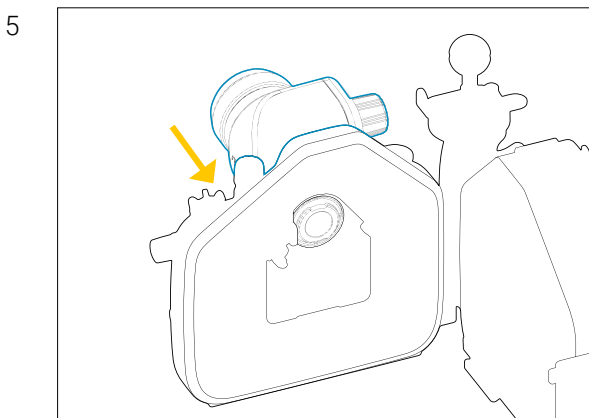
2 gently push the 0.66x viewfinder from the inside of the housing



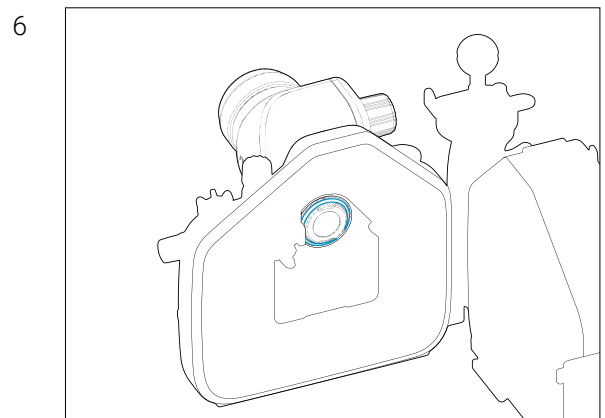
3 to use with 32211/32213 viewfinder, exchange a collar of the viewfinder to 32215 collar adaptor. (please refer to the 32215 adaptor manual.)



4 remove the retainer o-ring from the viewfinder



5 align the viewfinder alignment pins with the LCD display window and push the viewfinder into the housing until it cannot go in any further



6 lightly lubricate the retainer o-ring and place it back from inside the housing

CARE/STORAGE

1

A damaged O-ring should be discarded immediately and replaced only with one that is provided by NAUTICAM.

3

Place the O-rings in a small zip-lock plastic bag and place it inside the housing.

5

When travelling by air, it is important that the housing is not sealed. Either remove the O-rings, the port, or leave the back of the housing open.

5

Do not store the housing in an environment of high humidity, extreme temperatures, and direct sunlight.

4

After each day of diving, it is advisable to have both the housing main o-ring and port o-ring removed from its groove with the O-ring remover and inspected for damage. Also check that the O-ring retains its original circular shape; never stretch the O-ring excessively or remove it with a sharp object. The O-ring groove should be cleaned to ensure it is free from any salt deposit or foreign material; lightly coat the O-ring with the provided lubricant before reinstalling it in the groove.

2

It is recommended that you ship the housing to our distributor for a complete overhaul three years or after every 300 dives.

4

Store the housing in a robust, shock-proof container during transportation; avoid transporting with the camera inside the housing.

4

Do NOT travel with external 180/45 degree viewfinder installed, always pack it separately with the housing.

4

If you will not use the housing for an extended time, remove the O-rings for storage to avoid deforming them.

4

Soak the housing system in fresh water after each salt water use, during which all control buttons/knobs should be operated a few times to avoid the accumulation of salt residue; wipe the housing with a towel before opening. And do not dry your system in the Sun after fresh water cleaning.

WARRANTY

All NAUTICAM Housing Products and Viewfinders are warranted against any material and manufacturing defects for two years from the date of purchase for consumer use. NAUTICAM Optical Accessories are warranted against material and manufacturing defects for a period of one year, and HDMI cables carry a year warranty.

This warranty only applies to products purchased from authorized NAUTICAM dealers and does not extend beyond the original retail purchaser.

To return your product for service, please contact your regional authorized service center(s). Please note that this warranty only applies when the product is purchased in the territory where the service center is located.

NAUTICAM accepts no liability for any damage to and defects in the housing caused by improper use and/or poor maintenance; it is the responsibility of the owner to carefully follow the instructions in our manuals.

NAUTICAM does not hold responsibility for damage, of any nature, to any equipment used with and/or placed within our products.

NAUTICAM accepts no liability for any loss of captured images or the inability to capture images even if it is due to the malfunctioning of our products.

Unauthorized modifications and/or repairs of our products will automatically invalidate the warranty.

SPECIFICATIONS

Construction

Housing body	Hard Anodized Aluminium Alloy
Display window	Abrasion Resistant Polycarbonate

Dimensions

Width	323 mm
Height	173 mm
Depth	138 mm

Weight

In air	2.3 kg
Buoyancy in water	positive 0.1 kg (w/ camera & battery)

Depth

Rating	100 m
--------	-------

Port specifications

Port mount	N 100 Port System
Port accessories	1 x M24, 2 x M14, 1 x M10, 12x 1/4"-20 threaded holes

Optional accessories

25624 M14 Vacuum Valve II (Pushbutton Release)
32211 Nauticam Full Frame Straight Viewfinder 32° / 1:1
32213 Nauticam Full Frame Angle Viewfinder 32° / 1:1
32201 Nauticam 180° straight viewfinder
32203 Nauticam 45° viewfinder
26321 TTL Flash Trigger for Canon
26305 Mini flash trigger for Panasonic/Fujifilm (from SN A534514)
26216 Universal Optical Fiber Cable
25017 M14 6 pin bulkhead for Canon system
25020 Canon hotshoe plug to a M14 Nikonos bulkhead (x and ground connection only)
90137 Housing o-ring (I.D.=170mm, C.S.=2.5mm)

Buoyancy options

72216 Ø70x200mm Carbon Fibre Aluminium Float Arm (Buoyancy 370g)
72217 Ø70x250mm Carbon Fibre Aluminium Float Arm (Buoyancy 520g)
72218 Ø70x300mm Carbon Fibre Aluminium Float Arm (Buoyancy 670g)
72219 Ø90x170mm Carbon Fibre Aluminium Float Arm (Buoyancy 450g)
72220 Ø90x220mm Carbon Fibre Aluminium Float Arm (Buoyancy 720g)
72233 Single Bayonet Holder II for Ø70 Float Arm
72234 Double Bayonet Holder II for Ø70 Float Arm
72243 Single Bayonet Holder II for Ø90 Float Arm
72244 Double Bayonet Holder II for Ø90 Float Arm
83252 Single Bayonet Holder for Arms
83253 Double Bayonet Holder for Arms
83254 Bayonet Lens Holder for Inon Float Arms
87516 EMWL Bayonet Holder for Ø70 Float Arm
87517 EMWL Bayonet Holder for Ø90 Float Arm

HDMI CONNECTION, MONITOR & ETHERNET OPTIONS

HDMI connectivity required accessories (2.0)

25086 M24 adaptor for HDMI 2.0 cable
25077 M24D1R205-M28A1R170 HDMI 2.0 cable

Monitor options (2.0)

17922 Nauticam Atomos Ninja V Housing for Atomos Ninja V 5"

HDMI connectivity required accessories (1.4)

25033 Standard HDMI Bulkhead with M16 Thread
25081 M24 -16 Step Down Adaptor
25076 HDMI (D-D) 1.4 Cable in 200mm length
* 25033 is included in monitor housing packaging

Monitor options (1.4)

17923 NA-Shinobi-H Housing for Atomos Shinobi 5.2" 4K HDMI Monitor
17925 NA-503-H Housing for SmallHD 503 UltraBright On-Camera Monitor

Optional accessories for monitor mounting system

17951 Nauticam Monitor Housing Mounting System
17952 Nauticam Monitor Housing Mounting Adaptor
17954 Tripof Plate
17960 Universal Quadra-pod Plate

WET LENS COMPATIBILITY

Macro	81301	Compact Macro Converter 1 (CMC-1, 4.5x Magnification)
	81302	Compact Macro Converter 2 (CMC-2, 2.8x Magnification)
Macro to Wideangle	86201	Macro to Wideangle Lens 1 (MWL-1, 150 deg. FOV with full frame 60mm macro lens)
	87302	EMWL Set#2 (incl. focusing unit #2, 150mm relay lens & 3 objective lenses)
Wideangle	83201	Wet Wide Lens 1 (WWL-1) 130 deg. FOV with compatible 28mm Lenses
	83202	Wet Wide Lens 1B (WWL-1B) 130 deg. FOV with compatible 28mm lenses (incl. float collar)
	83203	Wet Wide Lens Compact (WWL-C) 130 Deg. FOV with Compatible 24mm Lenses (incl. float collar)
	85205	N100 0.36x Wide Angle Conversion Port Compact (WACP-C)
	85203	N100 0.36x Wide Angle Conversion Port with Aluminium Float Collar (incl. N100 Extension ring 35).

Optional wet lens accessories

25101	M67 flip diopter holder for M67 macro ports
25108	M67 Double Flip Holder for M67 Macro Ports
83250	M67 to Bayonet Mount Converter II
83214	Bayonet Mount Adaptor for SMC/CMC
87501	Flip Holder for EMWL
87512	Shade for 130° Objective Lens
87513	Shade for 100° Objective Lens
87515	M67 Mount to EMWL Focusing Unit
87518	Strobe Mounting Brackets for EMWL Relay Lens
87516	EMWL Bayonet Holder for Ø70 Float Arm
87517	EMWL Bayonet Holder for Ø90 Float Arm

**please refer to Nauticam port charts for more setup information.*

FLASH TRIGGERING

Optical Manual

26305 Mini flash trigger for Panasonic/Fujifilm (from SN A534514)

Optical TTL

26321 TTL Flash Trigger for Canon

Electronic Strobe Connection

25017 M14 6-pin bulkhead for Canon System

25020 Canon Hotshoe plug to M14 Bulkhead (X and ground connection only)

Nauticam Internationl Ltd.

Rm 2203, CCT Telecom Bldg,
11 Wo Shing St,
Fo Tan,
Hong Kong

Tel. +852 - 26902711
Fax. +852 - 26909778
URL. www.nauticam.com
Gallery. www.nauticam.smugmug.com