

NA - SHINOBI II Housing

For Atomos Shinobi II 5.2" Monitor with HDMI 1.4 input

PN 17927

User Manual

Housing
Monitor

Introduction	2
Package Contents	2
Important Instructions	3
Part Names and Functions	4
Opening the Housing	7
Closing the Housing	8
Setup Options	9
Cable Connection	10
Preparation for Use	12
Pre-installed M16 Vacuum Valve II	14
Care/Storage	15
Warranty	16
Specifications	17

INTRODUCTION

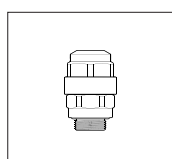
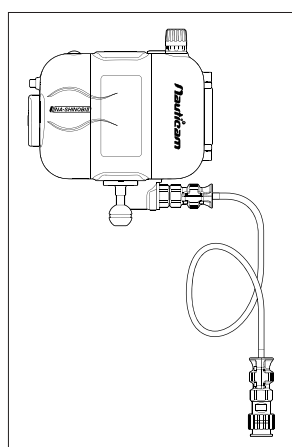
Thank you for purchasing this Nauticam product.

Before using the product, please read this manual thoroughly to familiarize yourself with full scope of functions on the product as well as ensuring that you will use the product correctly.

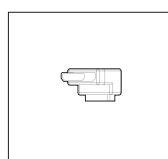
PACKAGE CONTENTS

Make sure that you have all the included items listed below before using this product. If some items are missing or damaged, contact your local Nauticam dealer.

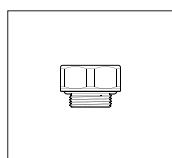
NA - SHINOBI II



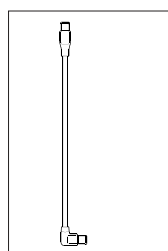
Standard HDMI bulkhead with M16 thread



HDMI A-A Right Angle Adapter



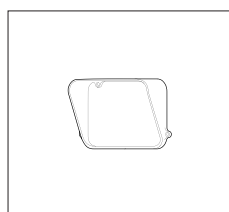
M16 Extension Ring



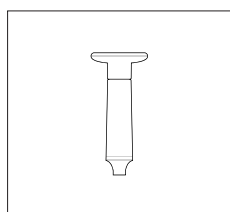
HDMI Cable from HDMI Bulkhead to Camera :
HDMI (D-A) 1.4 Cable in 200mm length

Pre-installed items :

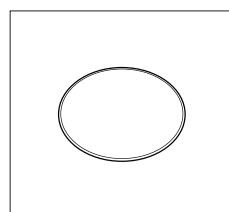
- 25038 HDMI Cable (A-D) 0.75m length
- 25625 M16 Vacuum Valve II
- 17958 Mounting Ball



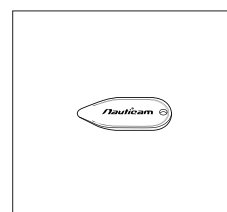
Monitor Hood



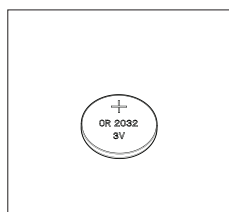
Hand Pump



Spare O-ring
90136

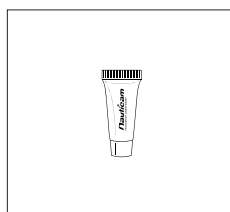


O-ring Remover

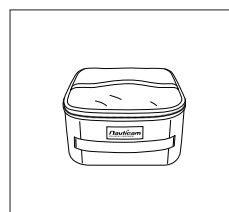


Panasonic CR2032 Battery

(pre-installed for Moisture Alarm)



Lubricant



Padded Travel Case

After purchase, we suggest that you reuse all packaging materials for future travelling.

IMPORTANT INSTRUCTIONS

1

Water-tight test of the housing (without monitor inside) before usage is recommended as well as any O-ring renewal and port change.

2

Do not seal the housing when travelling by air as this may lead to a pressure difference between the atmosphere and inside the housing.

3

Only the accessories specified by Nauticam must be used. Third-party accessories may result in malfunctions or damage to the product.

4

Use only Nauticam lubricant on silicone rubber O-ring.

5

Do not stretch any O-rings excessively. Only remove it using Nauticam O-ring remover.



6

Discontinue use immediately when there is a sign of leakage.

7

Do not attempt to remove parts of the housing yourself. Repairs must be done at authorized service centers only.

8

The housing should be positioned on the a stable and safe surface on land.

9

Do not expose the housing in direct sunlight for a prolonged period.

10

Do not open the housing in wet or sandy environment. Protect the housing from moisture and debris in order to prevent malfunction or leakage.

11

Prevent any sand or dust or water penetration inside the housing. Be extra careful when inserting or removing the monitor.

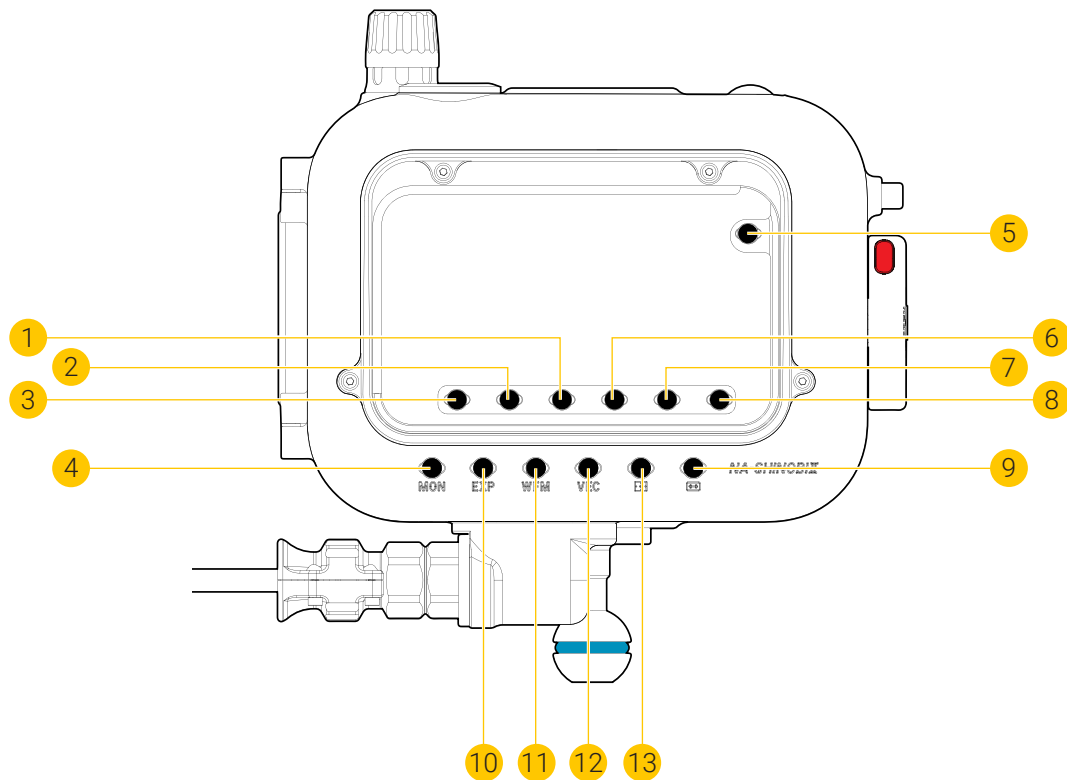


12

This product is not intended for use by children, or persons with reduced physical, sensory or mental capabilities, or lack of experience and knowledge, unless they are supervised and/or given instruction by a responsible person concerning use of the product to ensure that they can use it safely.

PART NAMES AND FUNCTIONS

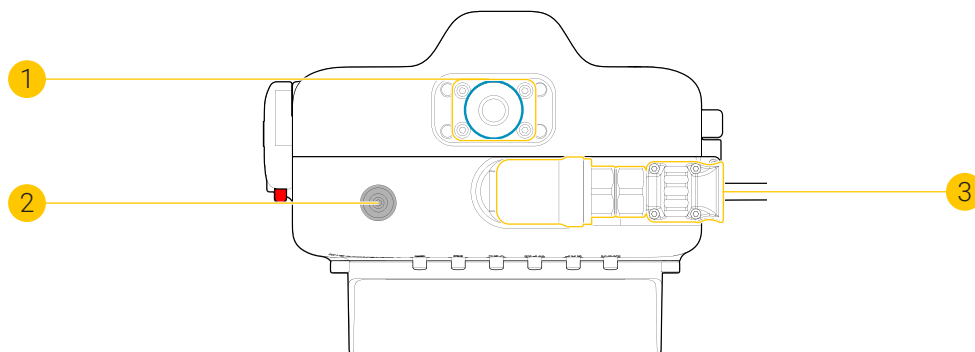
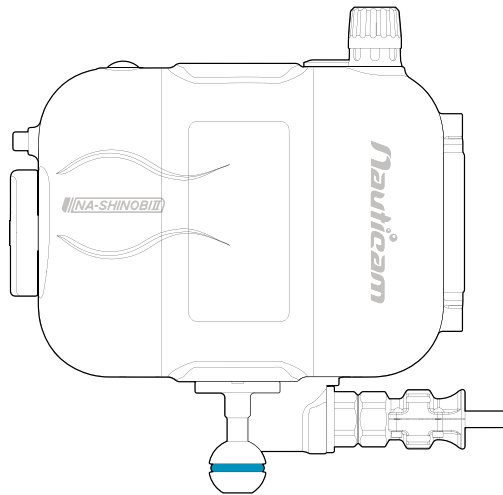
Rear View



- | | | | |
|----|-----------------------------|----|------------------------|
| 1 | Zebra button | 2 | Analysis mode button |
| 3 | Focus zoom button | 4 | Monitor button |
| 5 | Close button | 6 | Focus peaking button |
| 7 | 9-Grid button | 8 | Cinema Guides button |
| 9 | Anamorphic desqueeze button | 10 | Exposure ranges button |
| 11 | Waveforms button | 12 | Vector Scopes button |
| 13 | Safe areas button | | |

PART NAMES AND FUNCTIONS

Front + Bottom Views



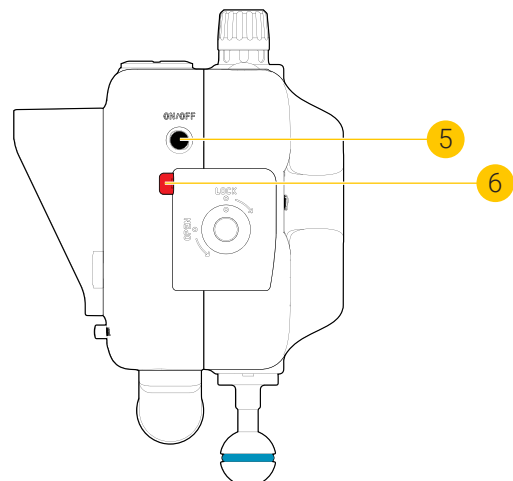
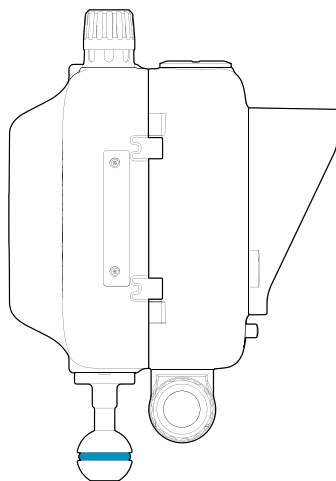
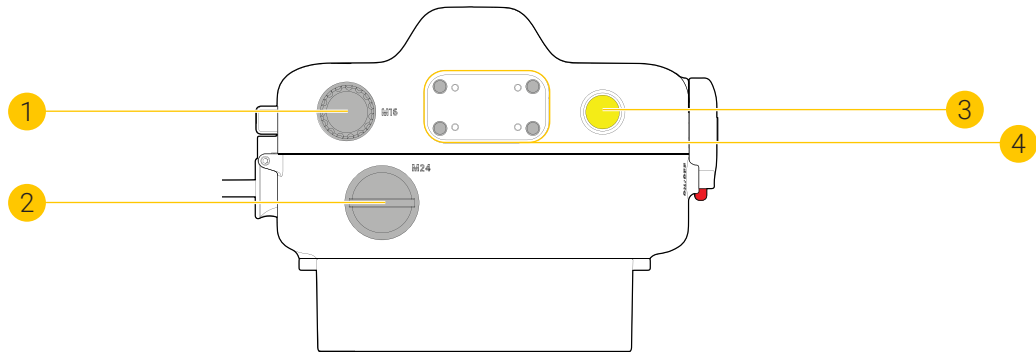
1 17958 Mounting ball

2 Sacrificial zinc anodes

3 HDMI cable

PART NAMES AND FUNCTIONS

Top + Side Views



1 M16 Accessory port

3 Moisture alarm window

5 Housing unlock button

2 M24 Accessory port

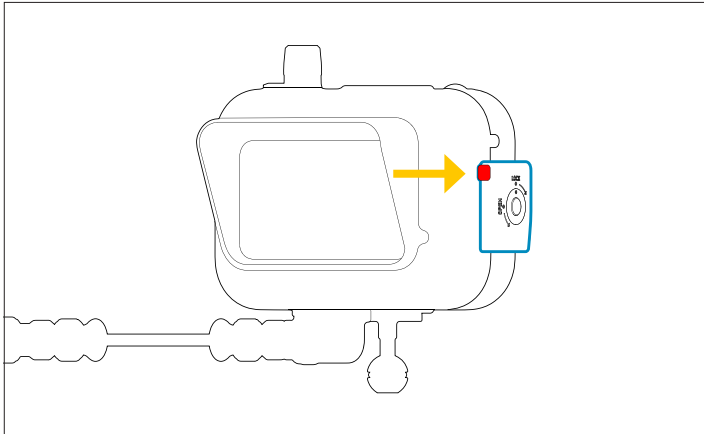
4 1/4"-20 UNC holes

6 ON/OFF button

OPENING THE HOUSING

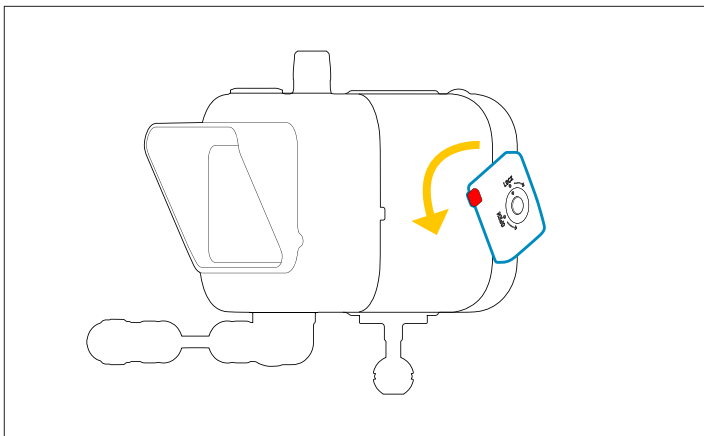
* drawings as illustrations only

1



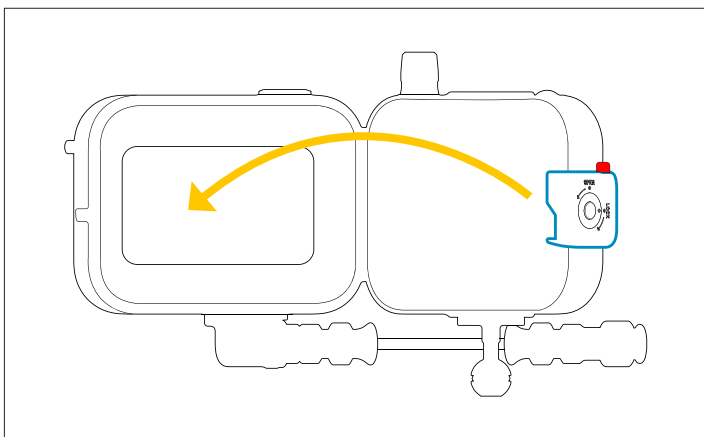
depress housing unlock button

2



turn housing lock latch
anti-clockwise to open the
housing

3

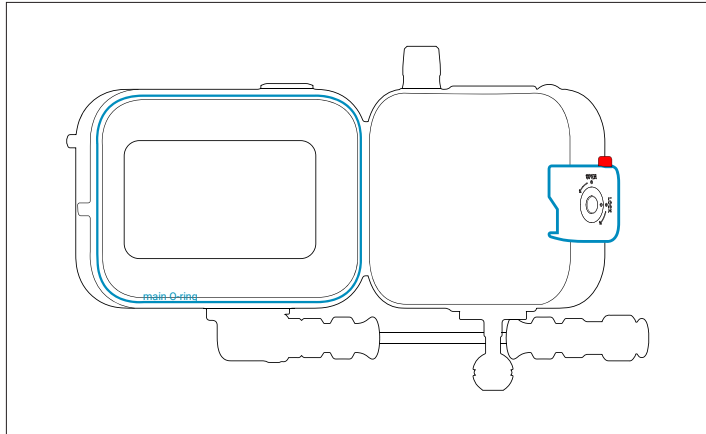


flip open the back housing
when lock latch is aligned to
'open' position

CLOSING THE HOUSING

* drawings as illustrations only

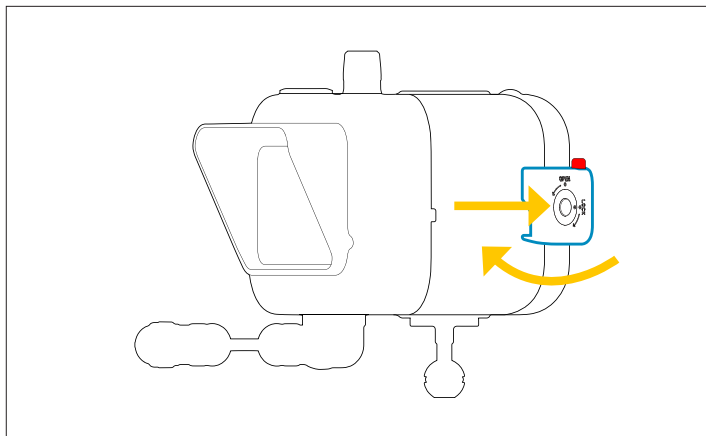
1



before closing the housing, clean and lubricate the main O-ring

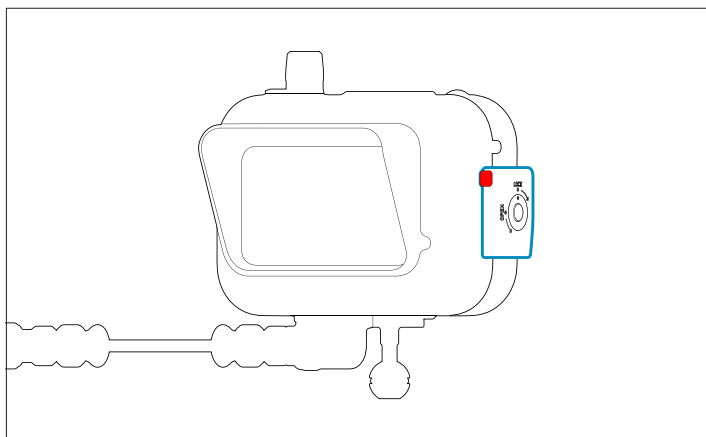
make sure nothing is caught between front and back housing and that they are fully aligned before locking

2



insert the housing shaft into the shaft hole and then rotate the lock latch clockwise until you hear and feel it click into place

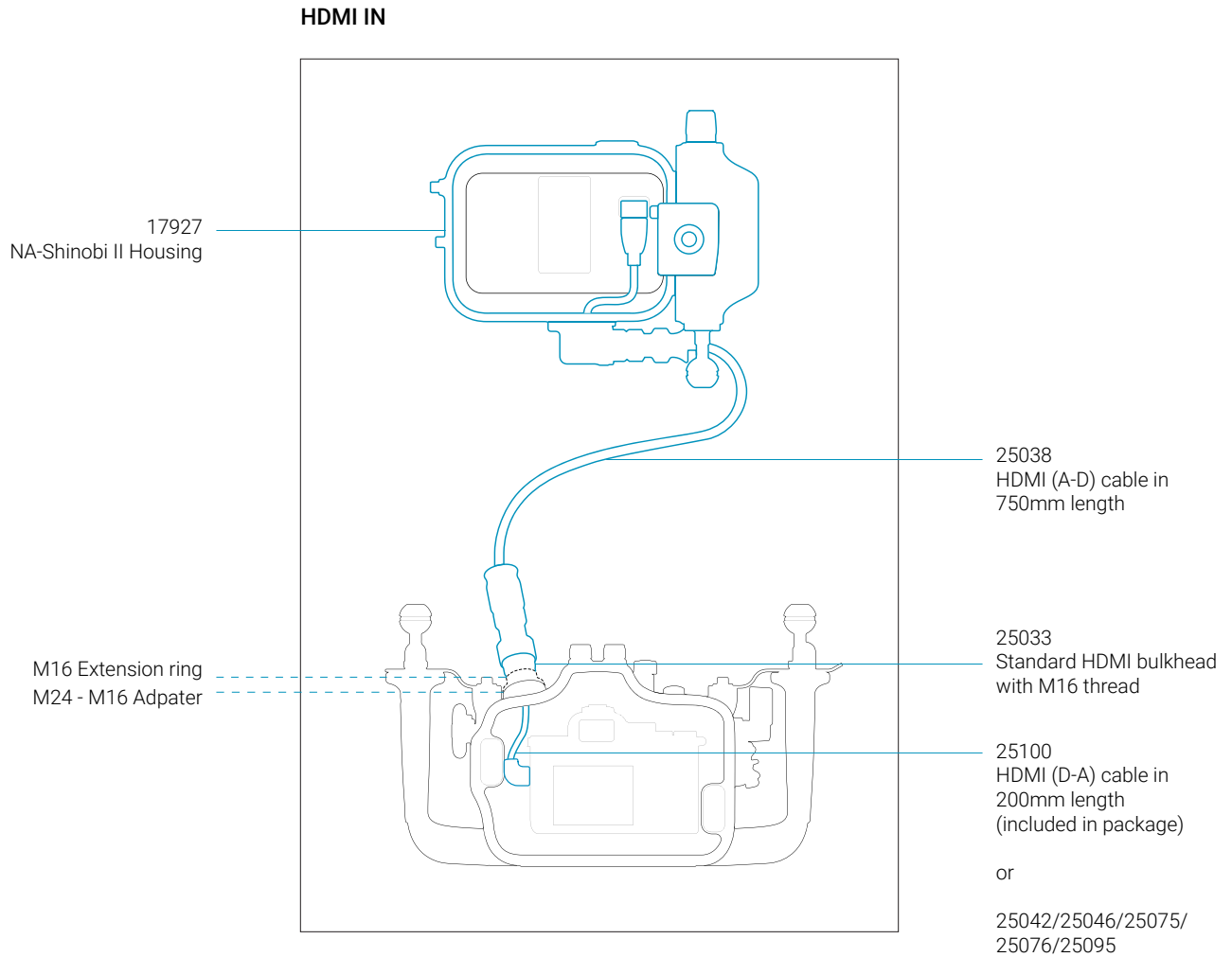
3



housing locked in place securely

SETUP OPTIONS - HDMI 1.4

* drawings as illustrations only

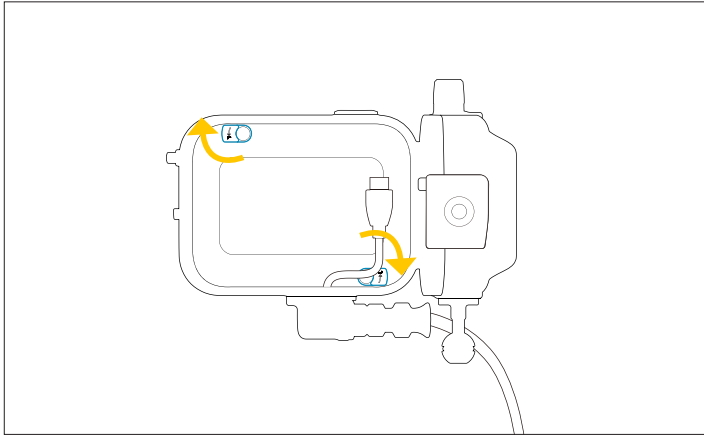


CABLE CONNECTION - HDMI IN

* drawings as illustrations only

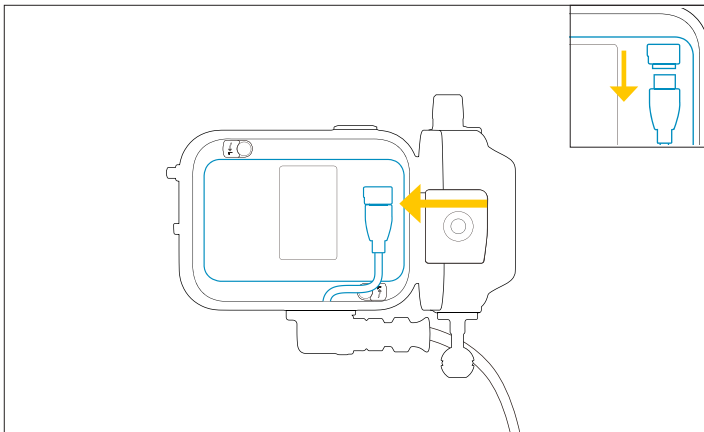
HDMI Cable to Monitor Connector

1



turn the two locking levers in the direction as shown

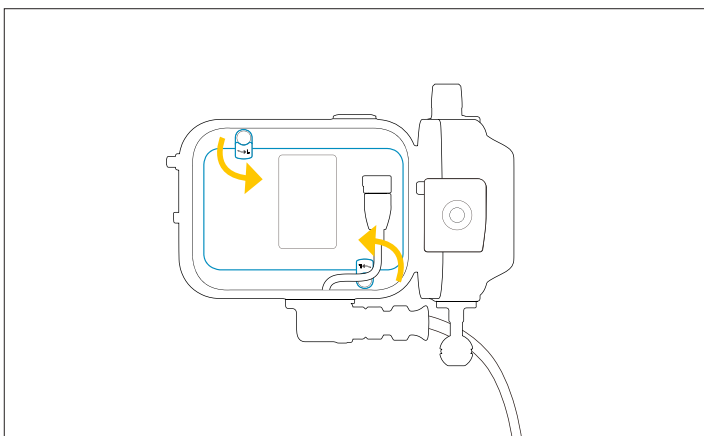
2



connect the HDMI cable to the monitor HDMI connector using the HDMI A-A right angle adapter

then place the monitor inside the housing

3

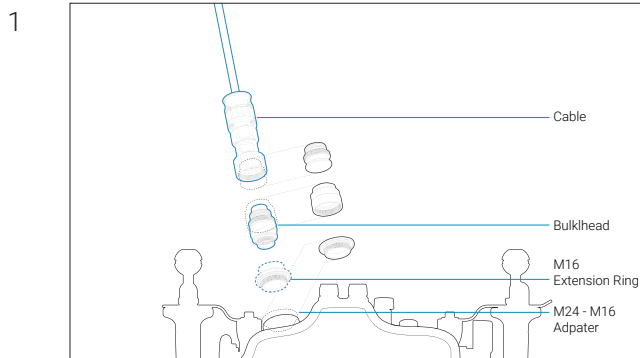


secure the monitor by turning the two locking levers towards the monitor

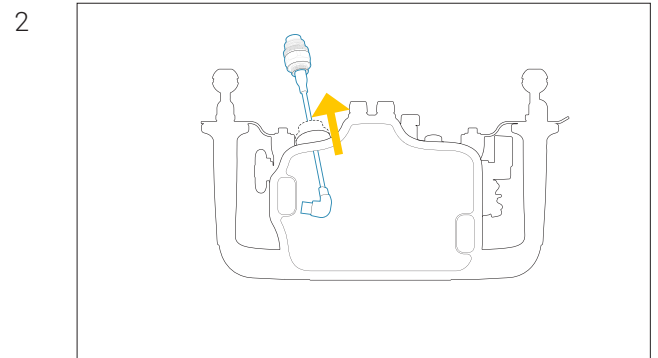
CABLE CONNECTION - TO CAMERA HOUSING

* drawings as illustrations only

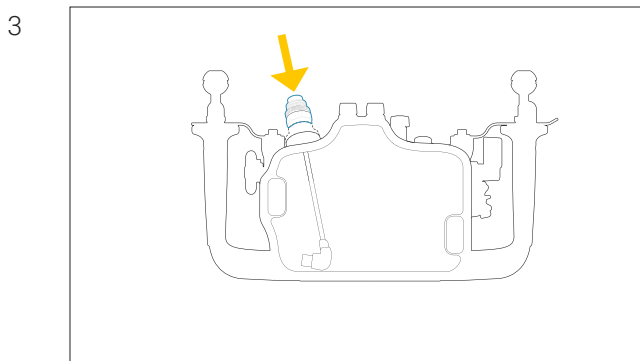
For HDMI



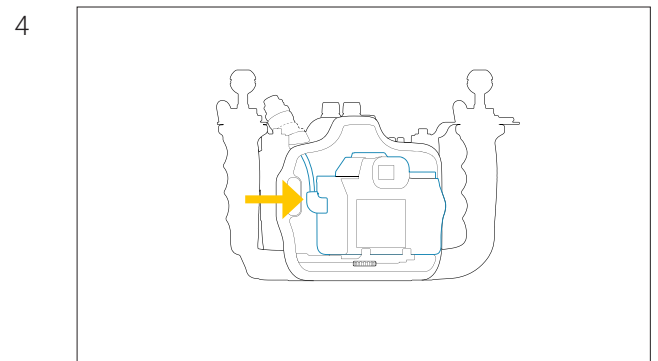
remove the caps of HDMI/SDI cable and bulkhead (M24-M16 adapter if needed)



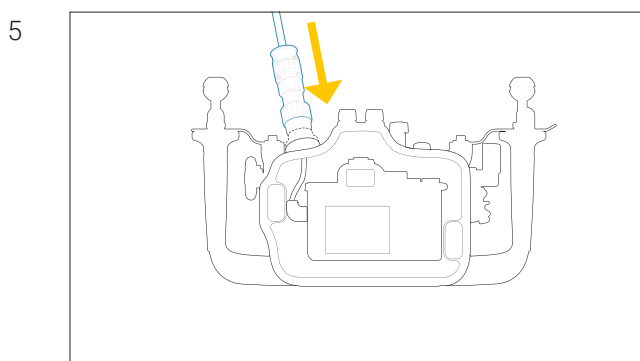
connect the internal cable to the bulkhead as shown



connect the bulkhead onto camera housing



connect the internal cable to the camera connector

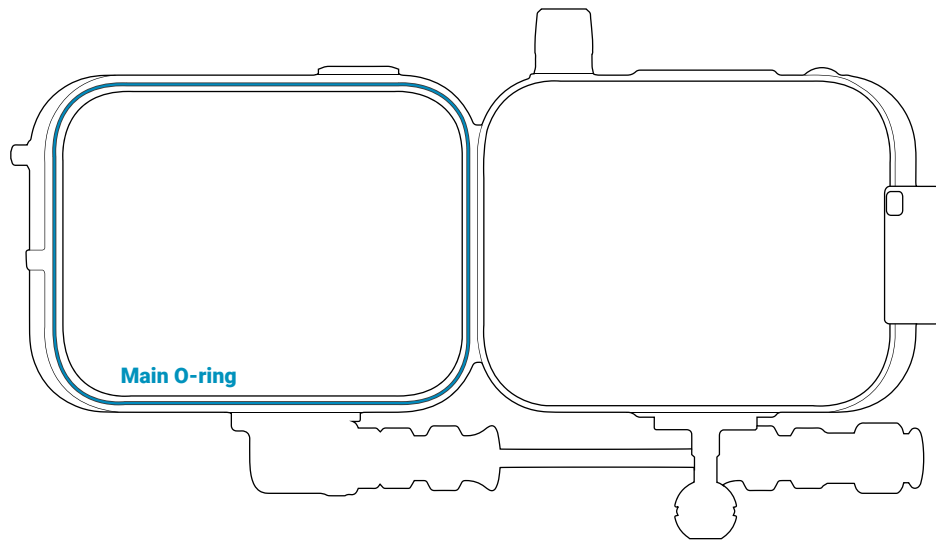


connect the HDMI/SDI cable onto the bulkhead

PREPARATION FOR USE

* drawings as illustrations only

Coating housing O-ring



- 1
remove the main O-ring using an O-ring remover

- 2
clean the O-ring groove with a cloth and ensure that it is free from salt or other foreign materials

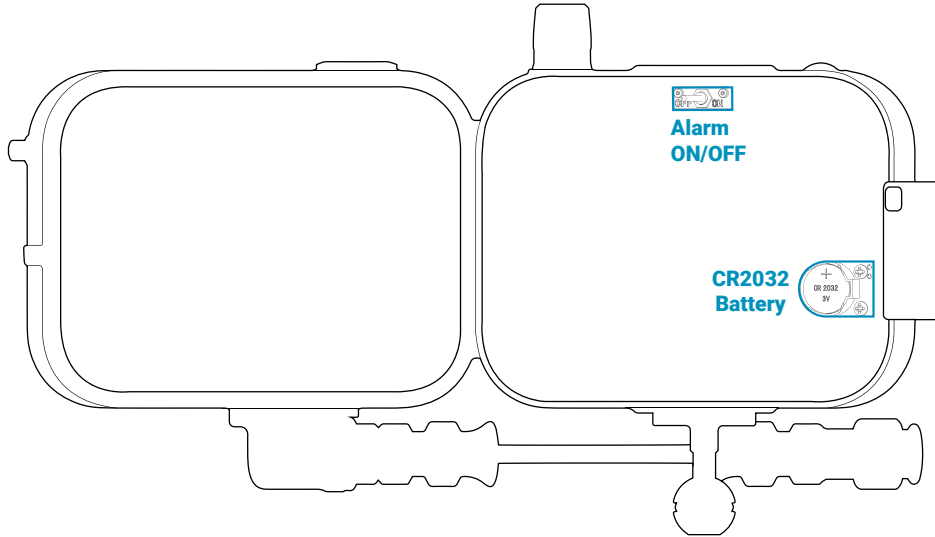
- 3
lightly coat it with provided lubricant

- 4
return the main O-ring by slowly pressing from one corner to the whole perimeter

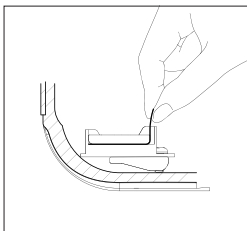
PREPARATION FOR USE

* drawings as illustrations only

Setting up moisture alarm

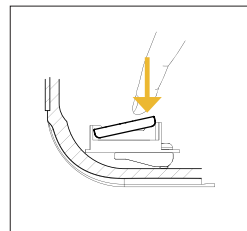


1



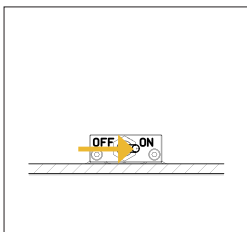
remove battery insulation film

2



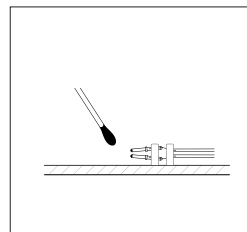
press the battery down until it click into place

3



switch on the alarm
- the moisture alarm window will flash in **BLUE** when it is working correctly

4



test the alarm
- connect the wires with a dampened cotton bud; the alarm will give a repeating 'beep' and the moisture alarm window will flash **RED**

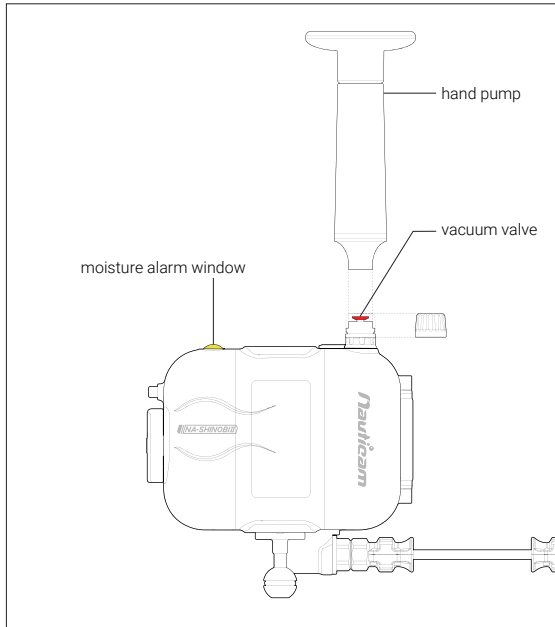
* please contact our authorized service centers if testing fails
* please refer to page 14 for complete vacuum system guidance

PRE-INSTALLED M16 VACUUM VALVE II

* drawings as illustrations only

Vacuum valve system

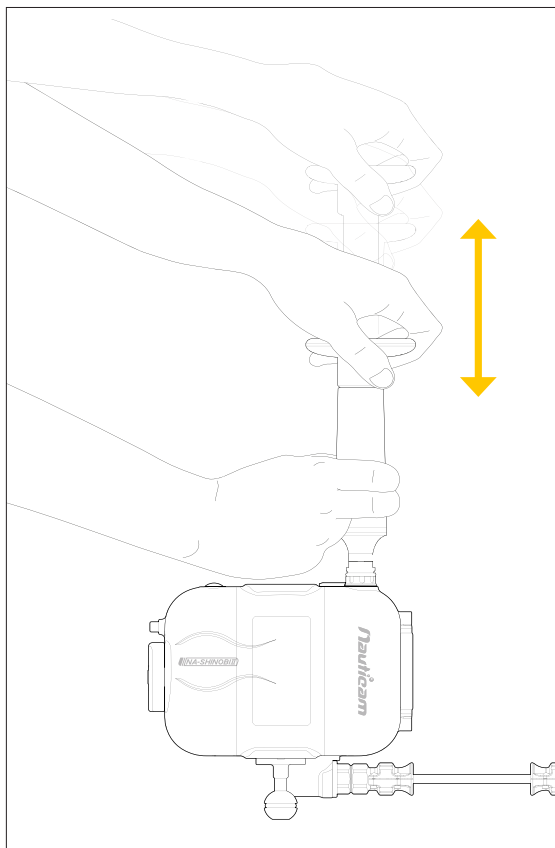
1



remove the cap from the pre-installed vacuum valve

connect hand pump to the valve








2



pump several times until it reaches the target vacuum level

close vacuum valve cap

Moisture alarm window colour indication :

Steady Blue		device is turned on
Flashing Blue		standby mode, ready for pumping
Steady Green		target vacuum level is reached
Flashing Yellow		vacuum level is dropping
Flashing Red		vacuum is totally lost, circuit stalled until device is switched off
Alternating Blue and Red		vacuum is totally lost, circuit stalled until device is switched off
Steady Red		out of battery

** It is recommended to leave the housing for at least 20mins to ensure it is sealed. If the LED light changes from steady green light to rapidly flashing yellow light, that means there is a leakage. Please check every O-ring and then conduct the vacuum test again.*

CARE/STORAGE

1

Gently rinse the housing system in fresh water after dives. Operate all controls and buttons at least 3 times while immersed in fresh water.

2

Use a microfiber towel to dry the housing system to prevent water stains on glass and metal finishing.

3

We recommend cleaning and inspecting the main O-ring each time after diving for any damage and every time the housing is opened.

4

Protect the housing with robust and shock-proof travel case during transportation. Do not travel with camera inside housing.

5

We recommend to ship the housing to our service centers for a complete overhaul after 500 dives/every 2 years.

WARRANTY

All NAUTICAM Housing Products and Viewfinders are warranted against any material and manufacturing defects for two years from the date of purchase for consumer use. NAUTICAM Optical Accessories are warranted against material and manufacturing defects for a period of one year, and HDMI cables carry a year warranty.

This warranty only applies to products purchased from authorized NAUTICAM dealers and does not extend beyond the original retail purchaser.

To return your product for service, please contact your regional authorized service center(s). Please note that this warranty only applies when the product is purchased in the territory where the service center is located.

NAUTICAM accepts no liability for any damage to and defects in the housing caused by improper use and/or poor maintenance; it is the responsibility of the owner to carefully follow the instructions in our manuals.

NAUTICAM does not hold responsibility for damage, of any nature, to any equipment used with and/or placed within our products.

NAUTICAM accepts no liability for any loss of captured images or the inability to capture images even if it is due to the malfunctioning of our products.

Unauthorized modifications and/or repairs of our products will automatically invalidate the warranty.

SPECIFICATIONS

17927 NA-SHINOBI II

for Atomos Shinobi II 5.2" Monitor with HDMI 1.4 input

Construction

Housing body	Hard Anodized Aluminium Alloy
Display window	Abrasion Resistant Polycarbonate

Dimensions

Width	199 mm
Height	139 mm
Depth	109 mm

Weight

In air	1.61 kg
Buoyancy in water	Positive 0.4 kg (incl. monitor, NP-F970 battery)

Depth

Rating	100 m
--------	-------

Port specifications

Port accessories	1 x M16, 1 x M24
------------------	------------------

Optional mounting accessories

17951 Nauticam Monitor Housing Mounting System
17952 Nauticam Atomos Shogun Housing Mounting Adaptor
17953 Nauticam Atomos Shogun Housing Mounting Adaptor for NA-GH5SV
17954 Universal Tripod Plate for Nauticam Housings
17957 Nauticam Atomos Shogun Housing Mounting Adaptor
17959 Housing Mounting Ball with 1/4" Screws
16226 Mounting Brackets for Shogun on Epic LT Housing

Nauticam Internationl Ltd.

Rm 2203, CCT Telecom Bldg,
11 Wo Shing St,
Fo Tan,
Hong Kong

Tel. +852 - 26902711
Fax. +852 - 26909778
URL. www.nauticam.com
Gallery. www.nauticam.smugmug.com