

36315 Mini Flash Trigger for Sony A6600

Instruction Manual

FOREWORD

Thank you for your purchase of a NAUTICAM product.

At NAUTICAM, we pride ourselves in the ability to recognize the requirements of professional as well as amateur underwater photographers and fulfill them through the innovative designs of our products. We strive to achieve a high level of user-friendliness by allowing stress-free installation and easy operation of all important functions of the camera.

Please read this manual carefully before using the product, this will maximize its performance as well as its lifetime.

WARRANTY

All NAUTICAM Products are warranted against any material and manufacturing defects for two years from the date of purchase for consumer use. This warranty only applies to products purchased from authorized NAUTICAM dealers and does not extend beyond the original retail purchaser.

To return your product for service, please contact your regional authorized service center(s). Please note that this warranty only applies when the product is purchased in the territory where the service center is located.

NAUTICAM does not hold responsibility for damage, of any nature, to any equipment used with and/or placed within our products.

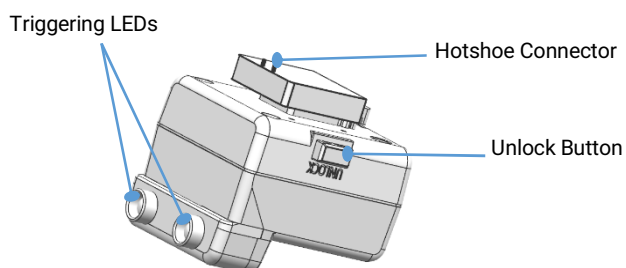
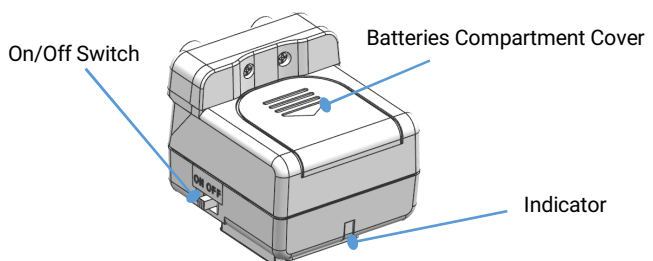
NAUTICAM accepts no liability for any loss of captured images or the inability to capture images even if it is due to the malfunctioning of our products.

Unauthorized modifications and/or repairs of our products will automatically invalidate the warranty.

PRECAUTIONS

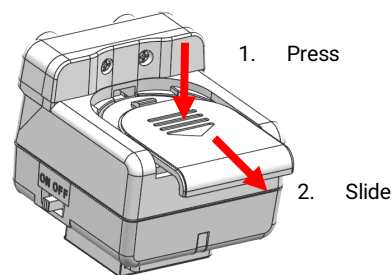
- Use only batteries approved for use in this product, do not mix old and new batteries.
- Check the battery terminals before installing into the product.
- Remove batteries for storage, do not store the product in an environment of high humidity.
- Do not leave the product in direct sunlight for prolonged periods.
- Keep out of reach of children, failure to do so could result in injury.
- Defective products should be shipped to our distributors for service, unauthorized disassembling and/or modifications could result in malfunction.

IDENTIFICATION OF PARTS

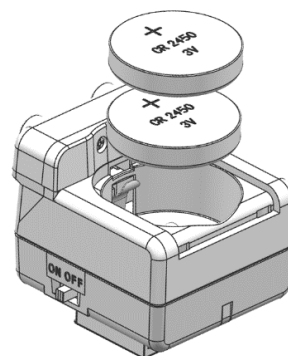


BATTERIES INSTALLATION

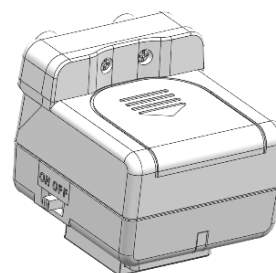
1. Make sure the On/Off switch is in the OFF position, then remove the batteries compartment cover by sliding outwards.



2. Remove the insulation film before installing batteries. Install the batteries provided into the battery compartment with +ve terminal facing up as shown below.

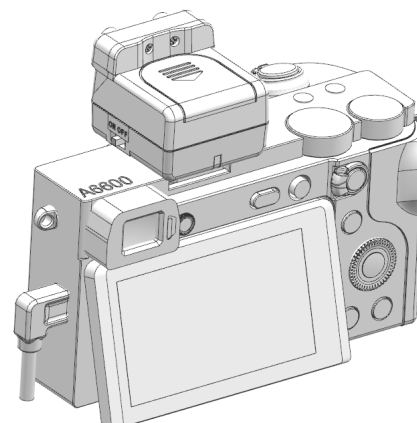


3. Close the battery compartment cover and then switch the trigger unit on. The indicator will turn green.



Indicator	Status of flash trigger
Green light	Start up.
Flashing Green light (1 flash/sec)	Ready to use, normal operation.
Flashing Red light (1 flash/sec)	Low battery warning, replace batteries.

CONNECT TO THE CAMERA



1. Align the flash trigger hotshoe connector to the camera hotshoe and slide in until it cannot go in any further. Test the flash trigger by pressing the shutter release button of the camera, the LEDs in the front should turn on instantaneously.

To detach the flash trigger from the camera, press and hold the Unlock button and slide it out.

***Please note that this is a manual flash trigger only. No TTL function.**

SPECIFICATIONS

Construction:	Body: PC+ABS
Dimensions:	Approx. 43x 38 x 36mm
Weight:	Approx. 43g (w/ batteries installed)
Battery:	Panasonic CR2450 x2pcs
Operation:	This a manual flash trigger only and has no TTL function.
Flash Capacity:	Approx. 10000 times
Compatible housings:	NA-A6600
Compatible strobes:	INON: Z240 type 4, D2000 type 4, S2000, Z330 Sea&Sea: YS-D2*, YS-250, YS-D1, YS-01 <i>*with 26216 Universal Optical Fiber Cable</i>

Remark: Nauticam supports only e-manuals. Please download corresponding product manuals on Nauticam.com website, or contact us for e-manuals.