

INSTRUCTION MANUAL

For CR2870-Z Zoom Gear for Canon RF 28-70 f2L USM

PN# 19595

FORWARD

Thank you for your purchase of a NAUTICAM product.

At NAUTICAM, we pride ourselves in the ability to recognize the requirements of professional as well as amateur underwater photographers and fulfill them through the innovative designs of our products. We strive to achieve a high level of user-friendliness by allowing stress-free installation and easy operation of all important functions of the camera.

Each product is individually inspected and water pressure tested to ensure optimum quality.

Please read this manual carefully before using the product, this will maximize its performance as well as its lifetime.

WARRANTY

All NAUTICAM Products are warranted against any material and manufacturing defects for two years from the date of purchase for consumer use. This warranty only applies to products purchased from authorized NAUTICAM dealers and does not extend beyond the original retail purchaser.

To return your product for service, please contact your regional authorized service center(s). Please note that this warranty only applies when the product is purchased in the territory where the service center is located.

NAUTICAM does not hold responsibility for damage, of any nature, to any equipment used with and/or placed within our products. NAUTICAM accepts no liability for any loss of captured images or the inability to capture images even if it is due to the malfunctioning of our products.

Unauthorized modifications and/or repairs of our products will automatically invalidate the warranty.

IDENTIFICATION OF PARTS



Plastic C-ring



CR2870-Z Zoom Gear



Spare rubber grips



Gear for housing



M2 Screw

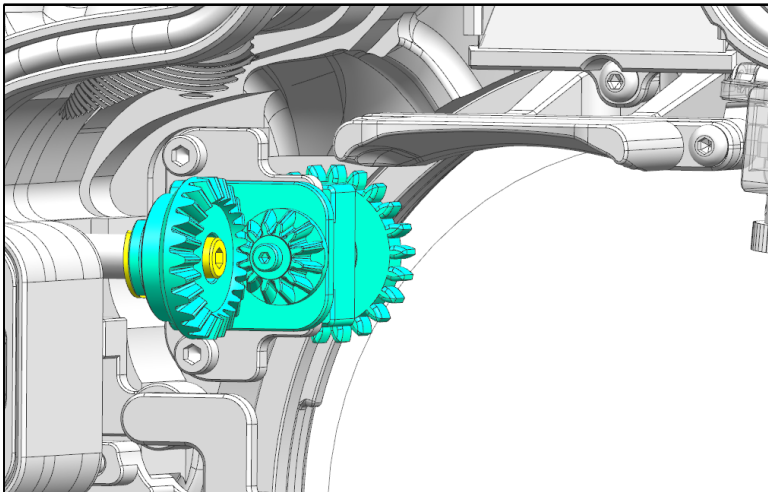


M3 Screw



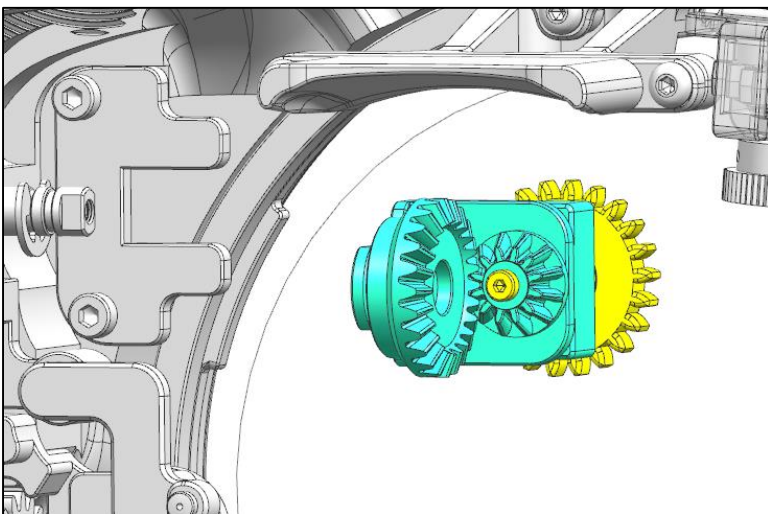
E-clip

PREPARATION

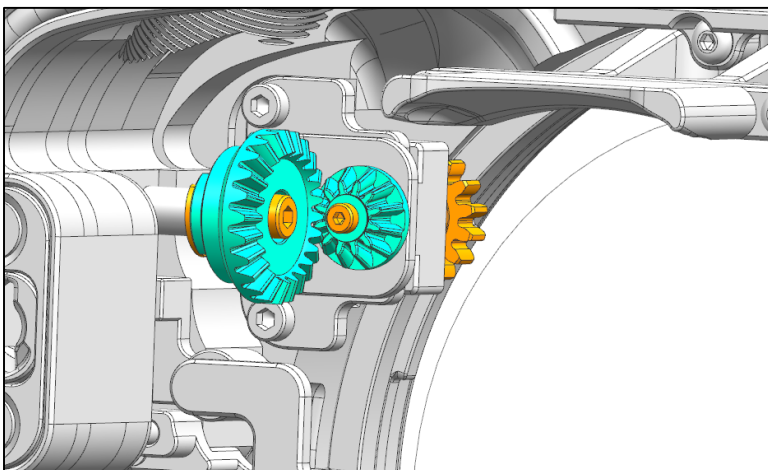


1. Remove a screw and a E-clip yellow - highlighted in the image.

Then, pull out the zoom/focus gear assembly blue from the shaft.

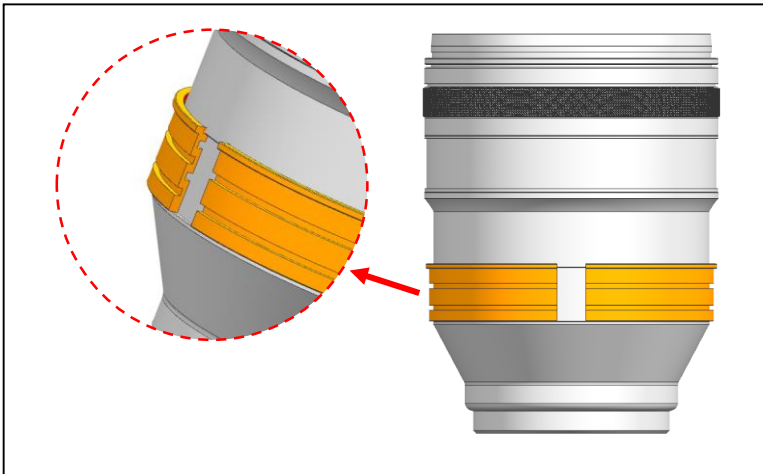


2. After take out the zoom/focus gear assembly from the shaft on the housing, remove a screw and a gear yellow-highlighted as shown.

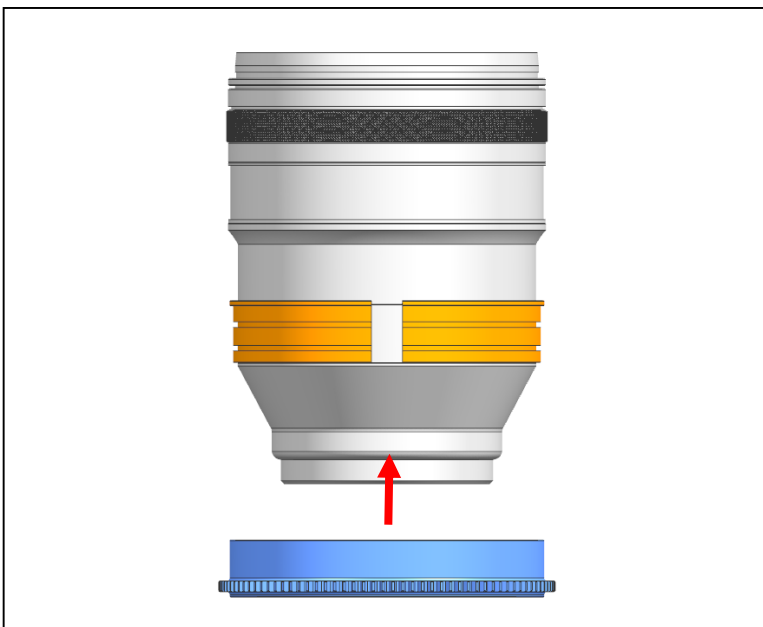


3. Place a gear provided to the zoom/focus gear assembly as shown, and reinstall the assembly on the housing with screws(M2 and M3) provided.

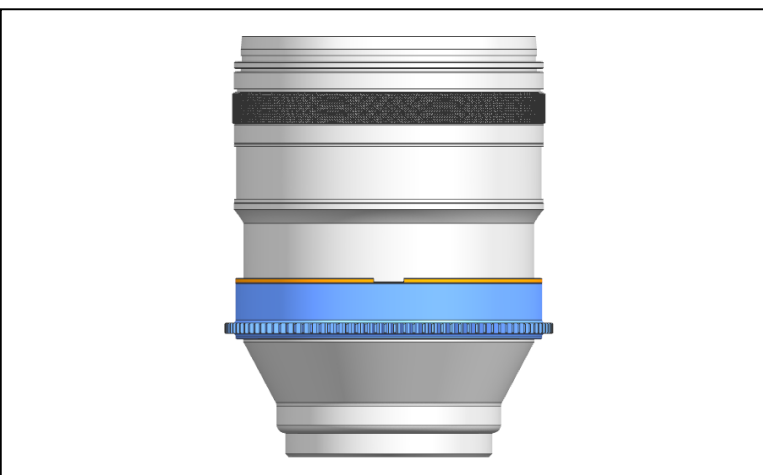
MOUNT THE GEAR ON A LENS



1. After remove rubber rings of the zoom control on the lens, Insert the plastic C-ring as shown and place it over the lens.



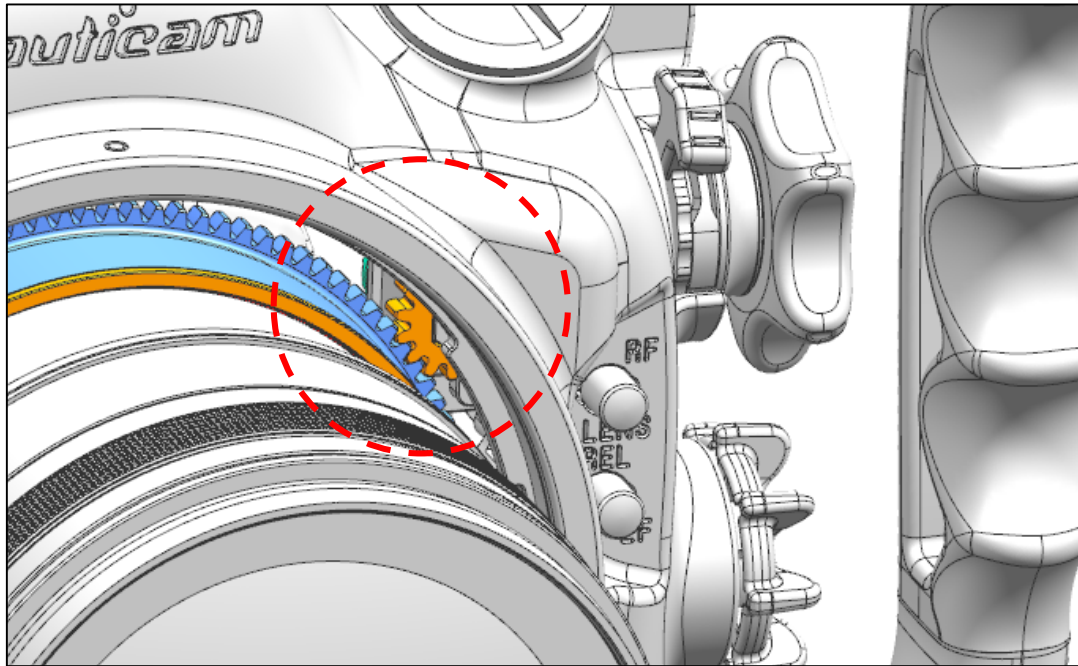
- 2 Insert the CR2870-Z Zoom Gear on the plastic C-ring until it reaches the flange of the plastic C-ring.



3. To remove the CR2870-Z Zoom Gear, reverse the above steps.

The tightness between the CR2870-Z Zoom Gear and the lens can be adjusted by removing or adding rubber grips on either sides of the plastic C-ring, spare rubber grips are included in the package.

CONTROL THE GEAR



1. The CR2870-Z Zoom Gear can be controlled by zoom/focus knob of the housing.

After mount the camera and lens (with gear installed) on the housing, confirm that the zoom/focus knob operates correctly.

SPECIFICATIONS

#19595 CR2870-Z Zoom Gear for Canon RF 28-70 f/2L USM

Dimensions:	DIA109.0mm × 18.5mm
Type:	Zoom gear
Compatible lens:	Canon RF 28-70 f/2L USM

Remark:

Nauticam supports only e-manuals. Please download corresponding product manuals on google drive <https://bit.ly/Nauticammanual>, or contact us for e-manuals.